

# SELF-PROPELLED SCISSOR LIFTS

## PARTS MANUAL

( For JCPT0807HD / JCPT0807DC )



### WARNING

THE MANUFACTURER SHALL NOT BE HELD LIABLE IN CASE OF FAULTS OR ACCIDENTS DUE TO NEGLIGENCE, INCAPACITY, INSTALLATION BY UNQUALIFIED TECHNICIANS AND IMPROPER USE OF THE MACHINE

DO NOT OPERATE THIS MACHINE UNTIL YOU READ AND UNDERSTAND ALL THE DANGERS, WARNINGS AND CAUTIONS IN THIS MANUAL

Part Number: SM0110213

CE ANSI

Zhejiang Dingli Machinery Co., Ltd.

Sixth Edition, March 2015 Printing



### Version of the Record

<b>Version Number</b>	<b>Create Date</b>
SM0110213_Rev1.0 .....	2010-07
SM0110213_Rev2.0 .....	2011-08
SM0110213_Rev3.0 .....	2012-03
SM0110213_Rev4.0 .....	2013-08
SM0110213_Rev5.0 .....	2014-07
SM0110213_Rev6.0 .....	2015-01



## Table of Contents

### Section 1 Chassis

Figure 1-1	Chassis Assembly .....	1-1
Figure 1-2	Charger Assembly .....	1-4
Figure 1-3	Steer Linkage (JCPT0807HD) .....	1-6
Figure 1-4	Steer Linkage (JCPT0807DC) .....	1-8
Figure 1-5	Rear Wheel (JCPT0807HD) .....	1-11
Figure 1-6	Rear Wheel (JCPT0807DC) .....	1-12
Figure 1-7	Pothole Protection Assembly .....	1-14
Figure 1-8	Battery Pack Module .....	1-17
Figure 1-9	Pumping Station Box (JCPT0807HD) .....	1-19
Figure 1-10	Pumping Station Box (JCPT0807DC) .....	1-22
Figure 1-11	Hydraulic Tank .....	1-25
Figure 1-12	Control Electrical (JCPT0807DC) .....	1-27
Figure 1-13	Limit Switch Assembly .....	1-29
Figure 1-14	Oil Pipe Bracket Assembly (HD Motor Drive) .....	1-31
Figure 1-15	Oil Pipe Bracket Assembly (DC Motor Drive) .....	1-32
Figure 1-16	Ground Control Panel Assembly (HD Motor Drive) .....	1-33
Figure 1-17	Ground Control Panel Assembly (DC Motor Drive) .....	1-34
Figure 1-18	Manual Pump Assembly (HD Motor Drive) .....	1-35

### Section 2 Scissor

Figure 2-1	Scissor and Chassis Installations .....	2-1
Figure 2-2	Scissor Assembly .....	2-3

### Section 3 Platform

Figure 3-1	Platform and Scissor Installations .....	3-1
Figure 3-2	Main Platform Assembly .....	3-3
Figure 3-3	Platform Extension Assembly .....	3-6
Figure 3-4	Platform Locking Device .....	3-9
Figure 3-5	Platform Control Box .....	3-10

### Section 4 Hydraulic System

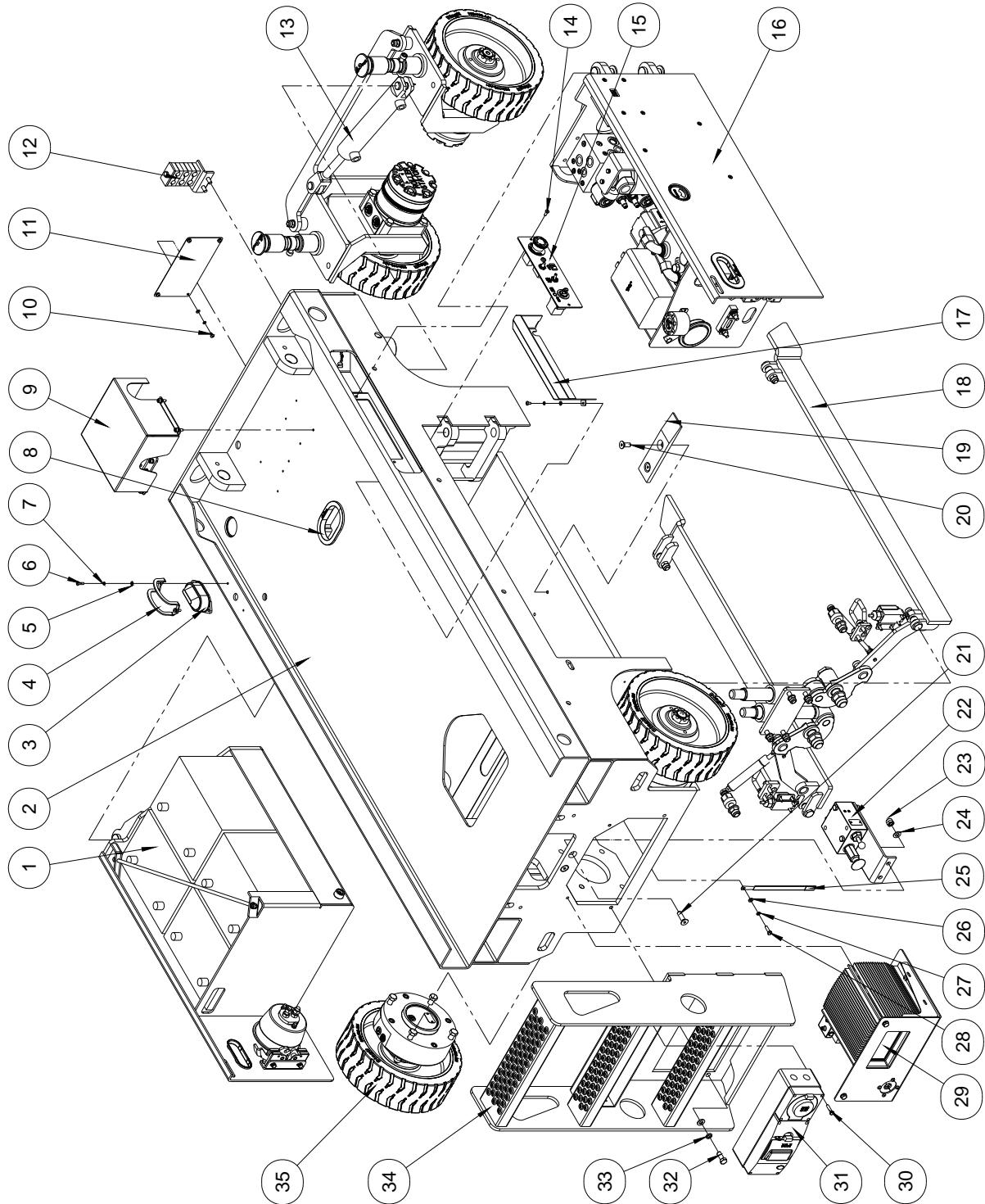
Figure 4-1	Hydraulic Cylinder Assembly .....	4-1
Figure 4-2	Hydraulic Hoses and Fittings (JCPT0807HD) .....	4-3
Figure 4-3	Hydraulic Hoses and Fittings (JCPT0807DC) .....	4-5
Figure 4-4	Function Manifold (JCPT0807HD) .....	4-7
Figure 4-5	Function Manifold (JCPT0807DC) .....	4-9



# Chassis

# Section 1

Figure 1-1 Chassis Assembly



**Figure 1-1 Chassis Assembly**

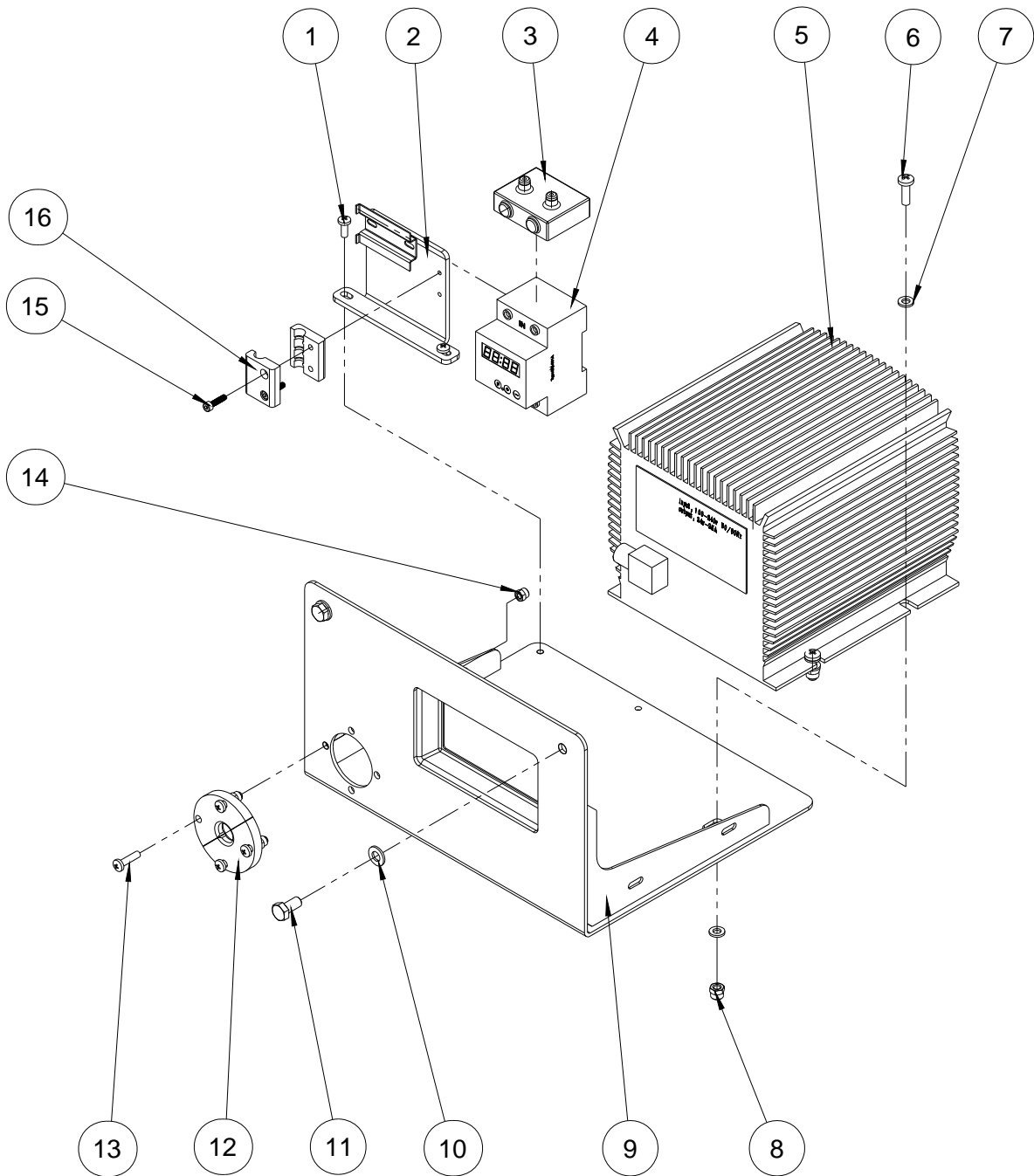
Item	Part Number	Description	Qty.	Remark
1	JCPT0807HD-121000	Battery Pack Module (Refer to 1-8)	1	
2	JCPT0807HD-111000	Chassis	1	
3	6914-0200032-01	Beacon	1	
4	JCPT1212HD-101023	Cover	1	
5	GB/T 97.1-2002	Washer 5	10	
6	GB/T 973-1976	Screw M5×16	2	
7	GB/T 93-1987	Spring washer 5	10	
8	JCPT1212HD-101021	Sheath	1	
9	JCPT0807-710000	Limit Switch Assembly (Refer to 1-13)	1	
10	GB/T 818-2000	Screw M5×10-H	6	
11	JCPT0807HD-101003	Baseplate	1	
12	JCPT1212HD-571100	Oil pipe bracket assembly (Refer to 1-14)	1	JCPT0807HD
	JCPT1212DC-571100	Oil pipe bracket assembly (Refer to 1-15)	1	JCPT0807DC
13	JCPT0807HD-151000	Steer linkage and wheels (Refer to 1-3)	1	JCPT0807HD
	JCPT0807DC-151000	Steer linkage and wheels (Refer to 1-4)	1	JCPT0807DC
14	GB/T 973-1976	Screw M5×12	2	
15	JCPT1212HD-101400	Ground control panel Assembly (Refer to 1-16)	1	JCPT0807HD
	JCPT0807DC-641000	Ground control panel Assembly (Refer to 1-17)	1	JCPT0807DC
16	JCPT0807HD-131000	Pumping station box (Refer to 1-9)	1	JCPT0807HD
	JCPT0807DC-131000	Pumping station box (Refer to 1-10)	1	JCPT0807DC
17	JCPT0807HD-111102	Envelop board	1	
18	JCPT0807HD-141000	Pothole protection assembly (Refer to 1-7)	1	
19	JCPT0807HD-101002	Spacer	2	
20	GB/T 70.3-2000	Screw M8×20	4	



**Figure 1-1 Chassis Assembly**

Item	Part Number	Description	Qty.	Remark
21	GB/T 70.3-2000	Screw M10×35	2	JCPT0807HD
22	JCPT1212HD-101200	Manual pump assembly (Refer to 1-18)	1	
23	GB/T 6182-2000	Nut M10	2	
24	GB/T 97.1-2002	Washer 10	6	
25	JCPT1212HD-101022	Electric bar	1	
26	GB/T 97.1-2002	Washer 6	1	
27	GB/T 93-1987	Spring washer 6	1	
28	GB/T 5783-2000	Bolt M6×16	1	
29	JCPT0807HD-621100	Charger assembly (Refer to 1-2)	1	
30	GB/T 5783-2000	Bolt M6×25	4	Option
31	6999-0110003-01	Input socket	1	
32	GB/T 93-1987	Spring washer 10	4	
33	GB/T 5783-2000	Bolt M10×25	4	
34	JCPT0807-117000	Ladder	1	
35	JCPT0807HD-151010	Rear wheel (Refer to 1-5)	2	JCPT0807HD
	JCPT0807DC-181000	Rear wheel (Refer to 1-6)	2	JCPT0807DC

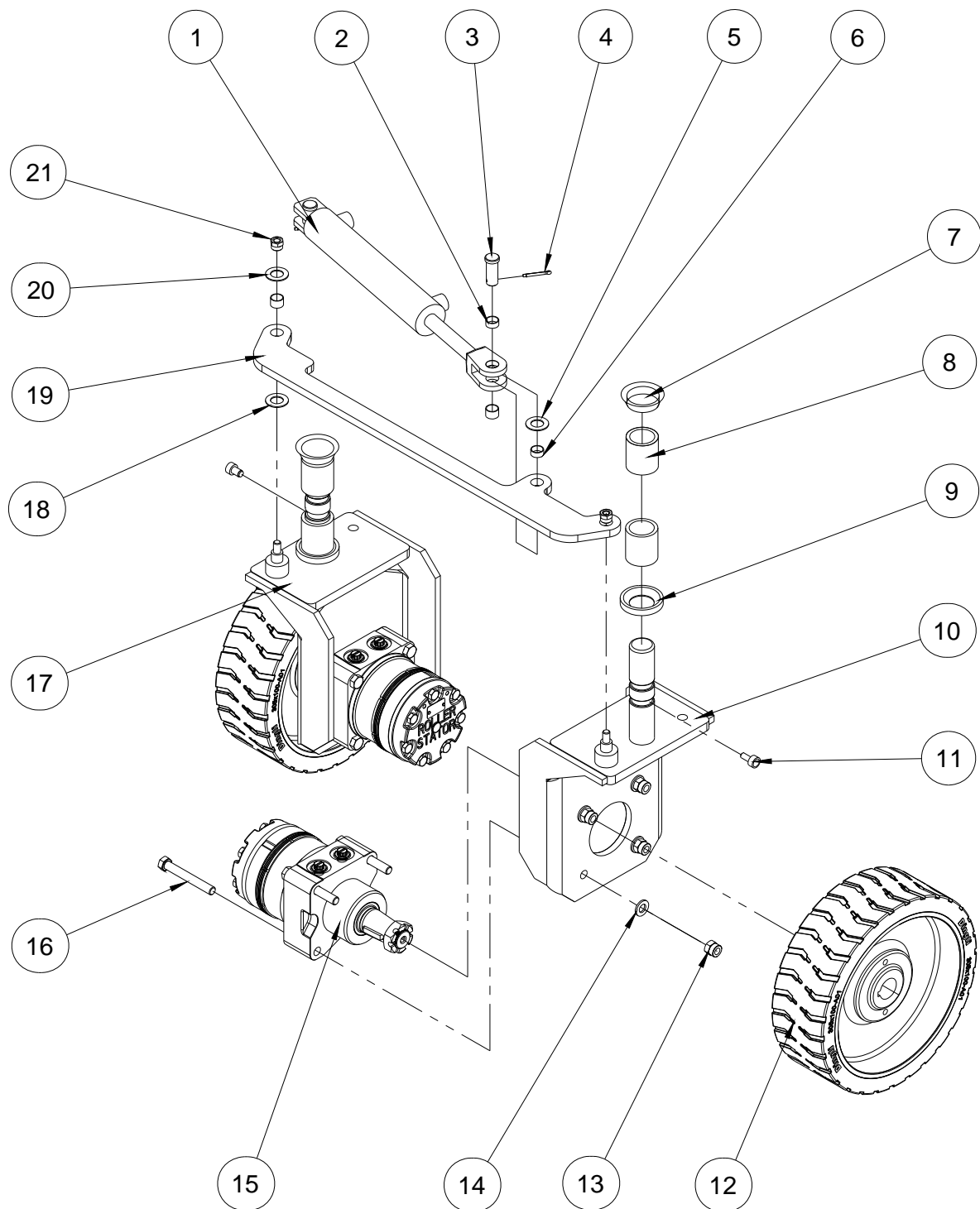
Figure 1-2 Charger Assembly



**Figure 1-2 Charger Assembly**

Item	Part Number	Description	Qty.	Remark
1	GB/T 973-1976	Screw M5x12	2	Option
2	JCPT0807HD-121210	Seat	1	
3	JCPT1212HD-121201	cover	1	
4	6906-5200001-01	Charger Protector	1	
5	6901-0122425-01	Charger	1	
6	GB/T 818-2000	Screw M6x12-H	4	
7	GB/T 97.1-2002	Washer 6	8	
8	GB/T 6182-2000	Nut M6	4	
9	JCPT0807HD-621110	Board	1	
10	GB/T 97.1-2002	Washer 8	2	
11	GB/T 5783-2000	Bolt M8x20	2	
12	JCPT1212HD-121003	Half-round batten	2	
13	GB/T 973-1976	Screw M5x16	4	
14	GB/T 6182-2000	Nut M5	4	
15	GB/T 70.1-2000	Screw M4x16	2	Option
16	GTWY8-320019	Single Clip	2	

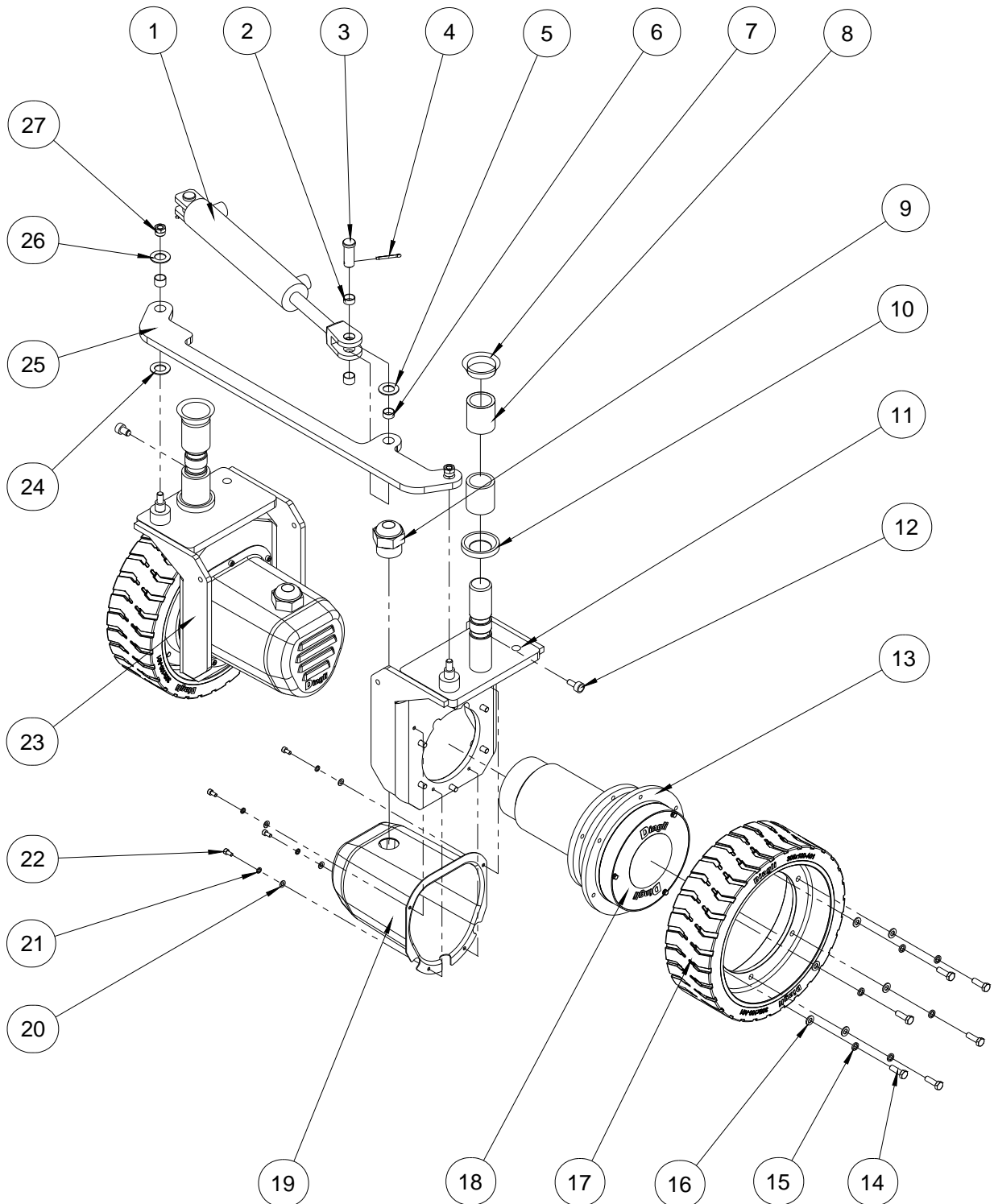
Figure 1-3 Steer Linkage (JCPT0807HD)



**Figure 1-3 Steer Linkage (JCPT0807HD)**

Item	Part Number	Description	Qty.	Remark
1	JCPT0807HD-531100	Steering cylinder	1	
--	JCPT0807HD-531100-1	Seal kit	1	
2	8812-161808	Bearing	4	
3	JCPT0807HD-151002	Pin	2	
4	GB/T 91-2000	Pin 4×28	2	
5	JCPT0807HD-151005	Cuprum cushion	2	
6	8812-161812	Bearing	4	
7	JCPT0807HD-151006	Cover	2	
8	8813-354550	Bearing	4	
9	JCPT0807HD-151003	Washer	2	
10	JCPT0807HD-151100	Left yoke	1	
11	JCPT0807HD-151004	Screw	2	
12	JCPT0807HD-151010	Wheel	2	
13	GB/T 6182-2000	Nut M12	8	
14	GB/T 97.1-2002	Washer 12	8	
15	5804-0230-01	Pump motor	2	
16	GB/T 5728-2000	Bolt M12×90	8	
17	JCPT0807HD-151200	Right yoke	1	
18	8832-18	Bearing	2	
19	JCPT0807HD-151001	Tie rod	1	
20	GB/T 97.1-2002	Washer 10	2	
21	GB/T 6182-2000	Nut M10	2	

Figure 1-4 Steer Linkage (JCPT0807DC)



**Figure 1-4 Steer Linkage (JCPT0807DC)**

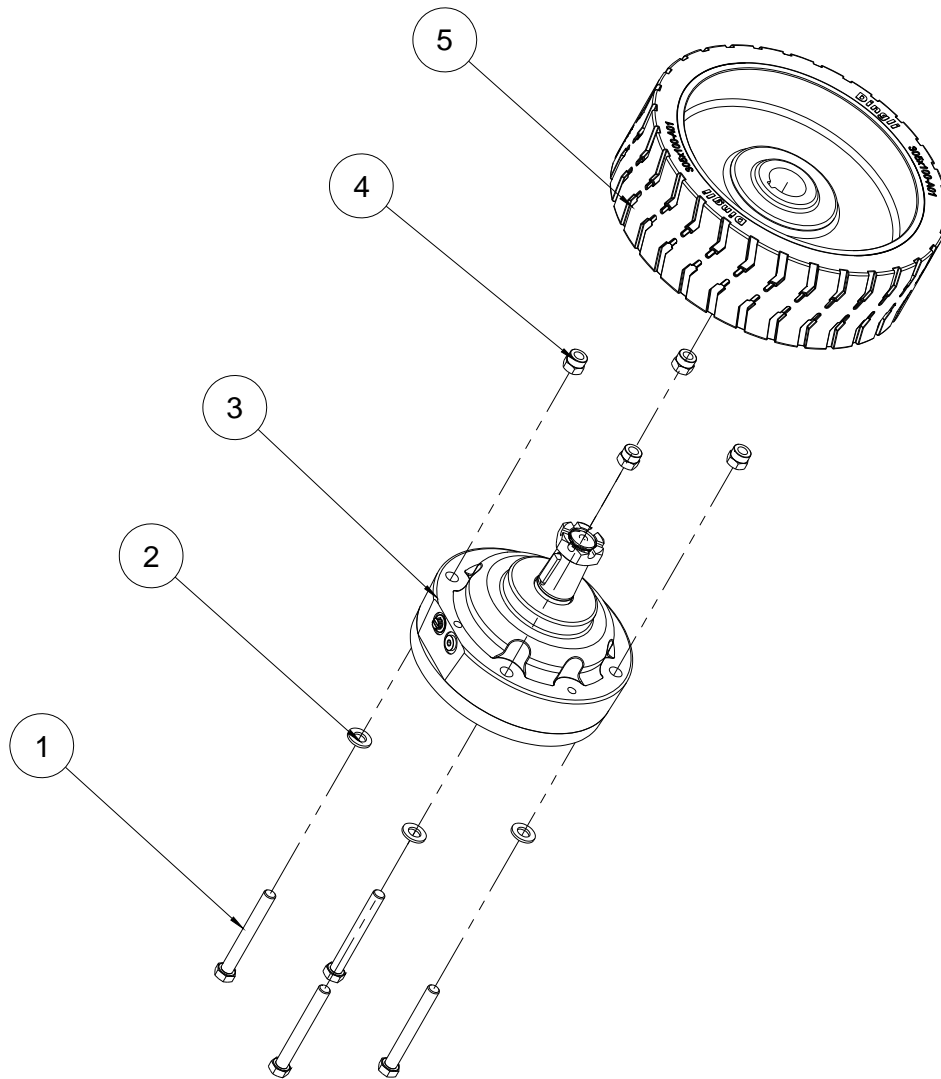
Item	Part Number	Description	Qty.	Remark
1	JCPT0807HD-531100	Steering cylinder	1	
--	JCPT0807HD-531100-1	Seal kit	1	
2	8812-161808	Bearing	4	
3	JCPT0807HD-151002	Pin	2	
4	GB/T 91-2000	Pin 4×28	2	
5	JCPT0807DC-151005	Cuprum cushion	2	
6	8812-161812	Bearing	4	
7	JCPT0807HD-151006	Cover	2	
8	8813-354550	Bearing	4	
9	6912-0200130-01	Water-proof joint	2	
10	JCPT0807HD-151003	Washer	2	
11	JCPT0807DC-151100	Left yoke	1	
12	JCPT0807HD-151004	Screw	2	
13	JCPT0807DC-151400	Drive motor	2	
--	JCPT0807DC-151410	Reducer	2	
--	JCPT0807DC-151420	Motor	2	
--	JCPT0807DC-151430	Brake	2	
14	GB/T 5783-2000	Bolt M8×30	24	
15	GB/T 93-1987	Spring washer 8	24	
16	GB/T 97.1-2002	Washer 8	24	
17	JCPT0807DC-151010	Wheel	2	
18	JCPT0807DC-151008	Out cover	2	
19	JCPT0807DC-151007	Cover	2	
20	GB/T 97.1-2002	Washer 5	8	
21	GB/T 93-1987	Spring washer 5	8	
22	GB/T 70.1-2000	Screw M5×12	8	
23	JCPT0807DC-151200	Right yoke	1	
24	8832-18	Bearing	2	
25	JCPT0807HD-151001	Tie rod	1	

**Figure 1-4 Steer Linkage (JCPT0807DC)**

Item	Part Number	Description	Qty.	Remark
26	GB/T 97.1-2002	Washer 10	2	
27	GB/T 6182-2000	Nut M10	2	



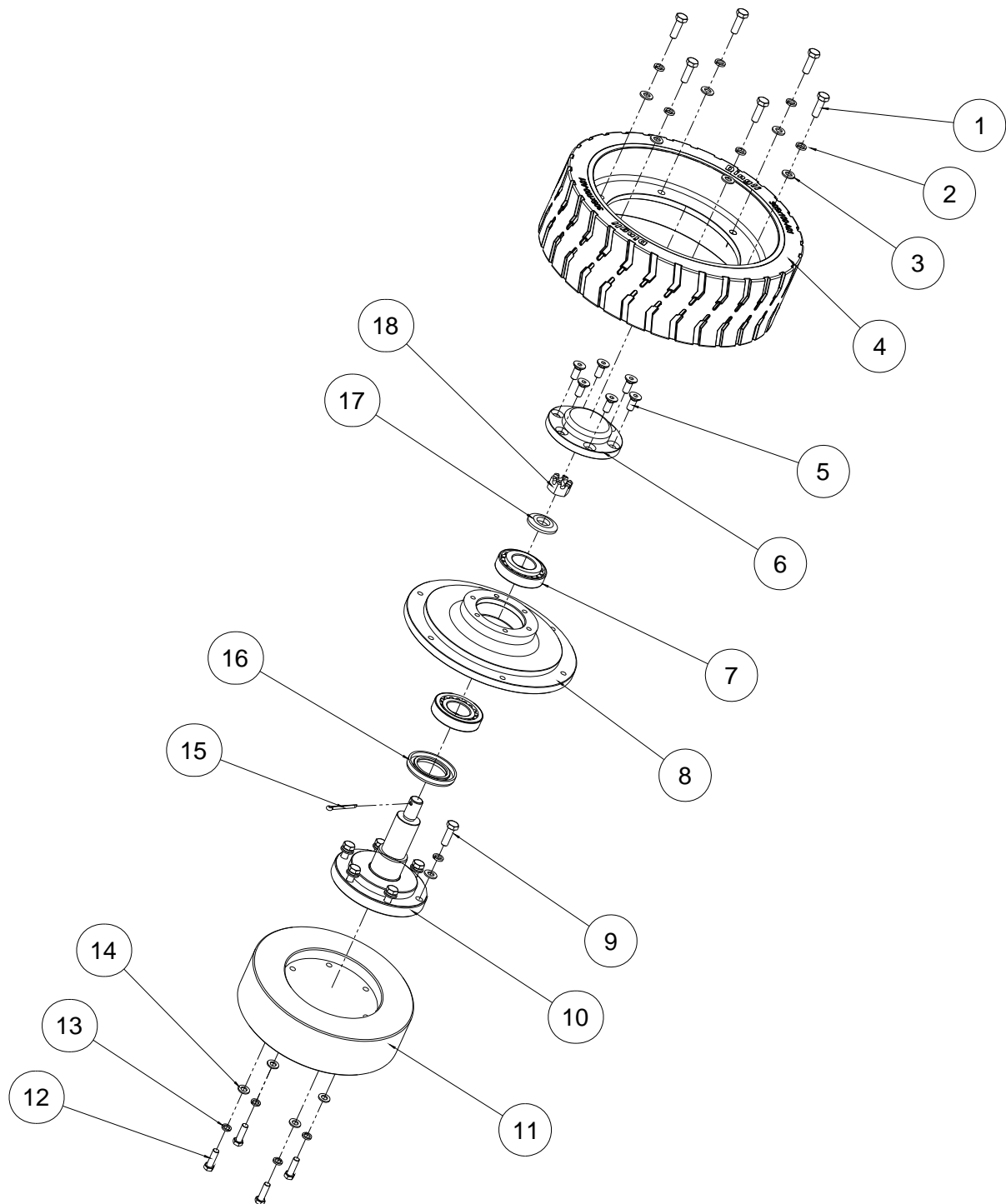
**Figure 1-5 Rear Wheel (JCPT0807HD)**



**Figure 1-5 Rear Wheel (JCPT0807HD)**

Item	Part Number	Description	Qty.	Remark
1	GB/T 5782-2000	Bolt M12×100	4	
2	GB/T 97.1-2002	Washer 12	4	
3	5810-0111	Brake	1	
4	GB/T 6182-2000	Nut M12	4	
5	JCPT0807HD-151010	Wheel	1	

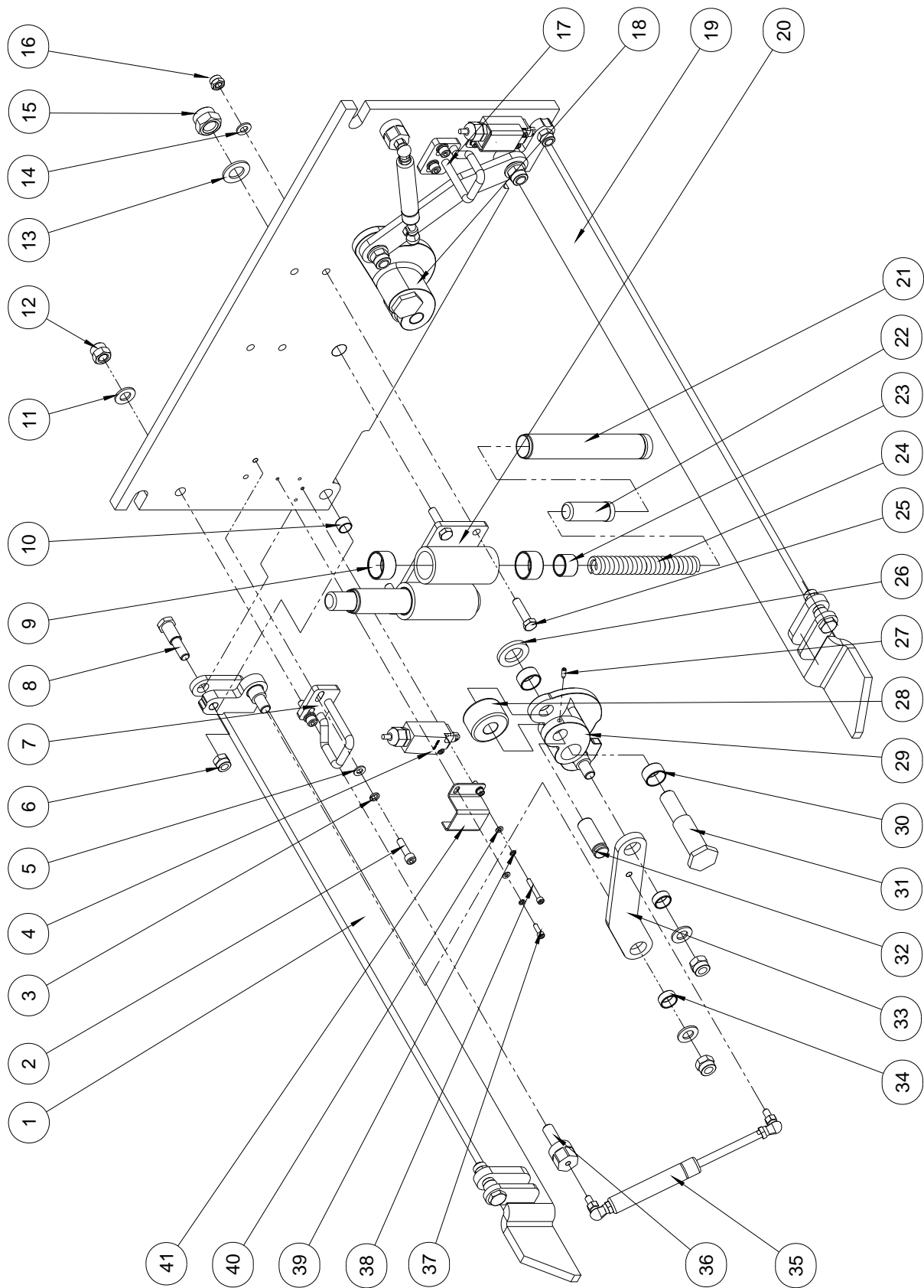
Figure 1-6 Rear Wheel (JCPT0807DC)



**Figure 1-6 Rear Wheel (JCPT0807DC)**

Item	Part Number	Description	Qty.	Remark
1	GB/T 5783-2000	Bolt M8×30	6	
2	GB/T 93-1987	Spring washer 8	12	
3	GB/T 97.1-2002	Washer 8	12	
4	JCPT0807DC-151010	Wheel	1	
5	GB/T 70.3-2000	Screw M8×20	6	
6	JCPT1212DC-101103	Cap	1	
7	GB/T 297-1994	Bearing 30206	2	
8	JCPT0807DC-181101	Linked tray	1	
9	GB/T 5783-2000	Bolt M8×30	6	
10	JCPT0807DC-181110	Wheel Axle seat	1	
11	JCPT0807DC-181001	Terminal pad	1	
12	GB/T 5783-2000	Bolt M12×40	4	
13	GB/T 93-1987	Spring Washer 12	4	
14	GB/T 97.1-2002	Washer 12	4	
15	GB/T 91-2000	Pin 4×40	1	
16	GB/T13871.1-2007	Seal FB38 62 8	1	
17	JCPT0807DC-181102	Washer	1	
18	GB/T 9459-1988	Nut M16×1.5	1	

Figure 1-7 Pot Hole Protection Assembly



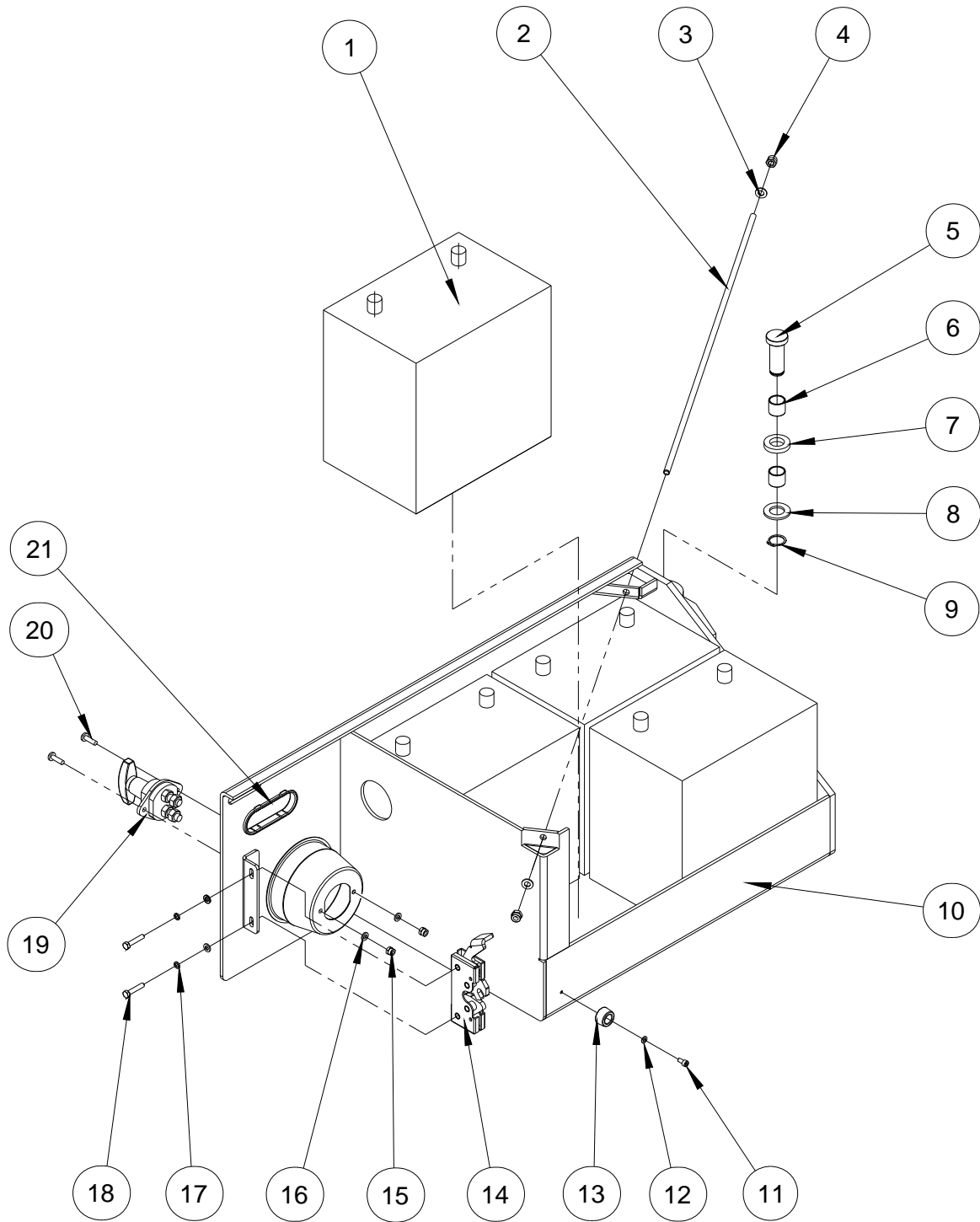
**Figure 1-7 Pot Hole Protection Assembly**

Item	Part Number	Description	Qty.	Remark
1	JCPT0807HD-141100	Cross board	1	
2	GB/T 5783-2000	Bolt M8x25	4	
3	GB/T 93-1987	Spring washer 8	4	
4	6909-0752020-01	Travel switch	2	
5	GB/T 97.1-2002	Washer 8	4	
6	GB/T 889.1-2000	Nut M12	4	
7	JCPT0807HD-141300	Lock clasp	1	
8	JCPT0807HD-141012	Cross board annul	4	
9	8812-323620	Bearing	4	
10	8812-161812	Bearing	4	
11	GB/T 97.1-2002	Washer 14	6	
12	GB/T 889.1-2000	Nut M14	6	
13	GB/T 97.1-2002	Washer 20	2	
14	GB/T 97.1-2002	Washer 10	4	
15	GB/T 889.1-2000	Nut M20	2	
16	GB/T 889.1-2000	Nut M10	4	
17	JCPT0807HD-141300a	Lock clasp	1	
18	JCPT1212HD-141040a	Mid linkage weldment	1	
19	JCPT0807HD-141100a	Cross board	1	
20	JCPT0808HD-142010	Press axes seat	1	
21	JCPT1212HD-141110	Pot hole actuator weldment	2	
22	JCPT0807HD-141201	Pot hole actuator pin	2	
23	8812-242825	Bearing	2	
24	JCPT1212HD-141102	Spring	2	
25	GB/T 5783-2000	Bolt M10x40	4	
26	JCPT1212HD-141007	Cuprum cushion	2	
27	GB/T 75-1985	Screw M5x12	2	
28	JCPT1212HD-141005	Wheel	2	
29	JCPT1212HD-141040	Mid linkage weldment	1	

**Figure 1-7 Pot Hole Protection Assembly**

Item	Part Number	Description	Qty.	Remark
30	8812-252820	Bearing	4	
31	JCPT1212HD-141008	Orientation annul	2	
32	JCPT1212HD-141006	Wheel annul	2	
33	JCPT0807HD-141011	Nether linkage	2	
34	8812-202310	Bearing	4	
35	JB/T8064.1-1996	Gas spring	2	
36	JCPT1212HD-141001	Gas pole annul	2	
37	GB/T 70.1-2000	Screw M5×12	4	
38	GB/T 70.1-2000	Screw M5×35	4	
39	GB/T 93-1987	Spring washer 5	8	
40	GB/T 97.1-2002	Washer 5	8	
41	JCPT1212HD-101017	Travel switch mantle	2	

Figure 1-8 Battery Pack Module

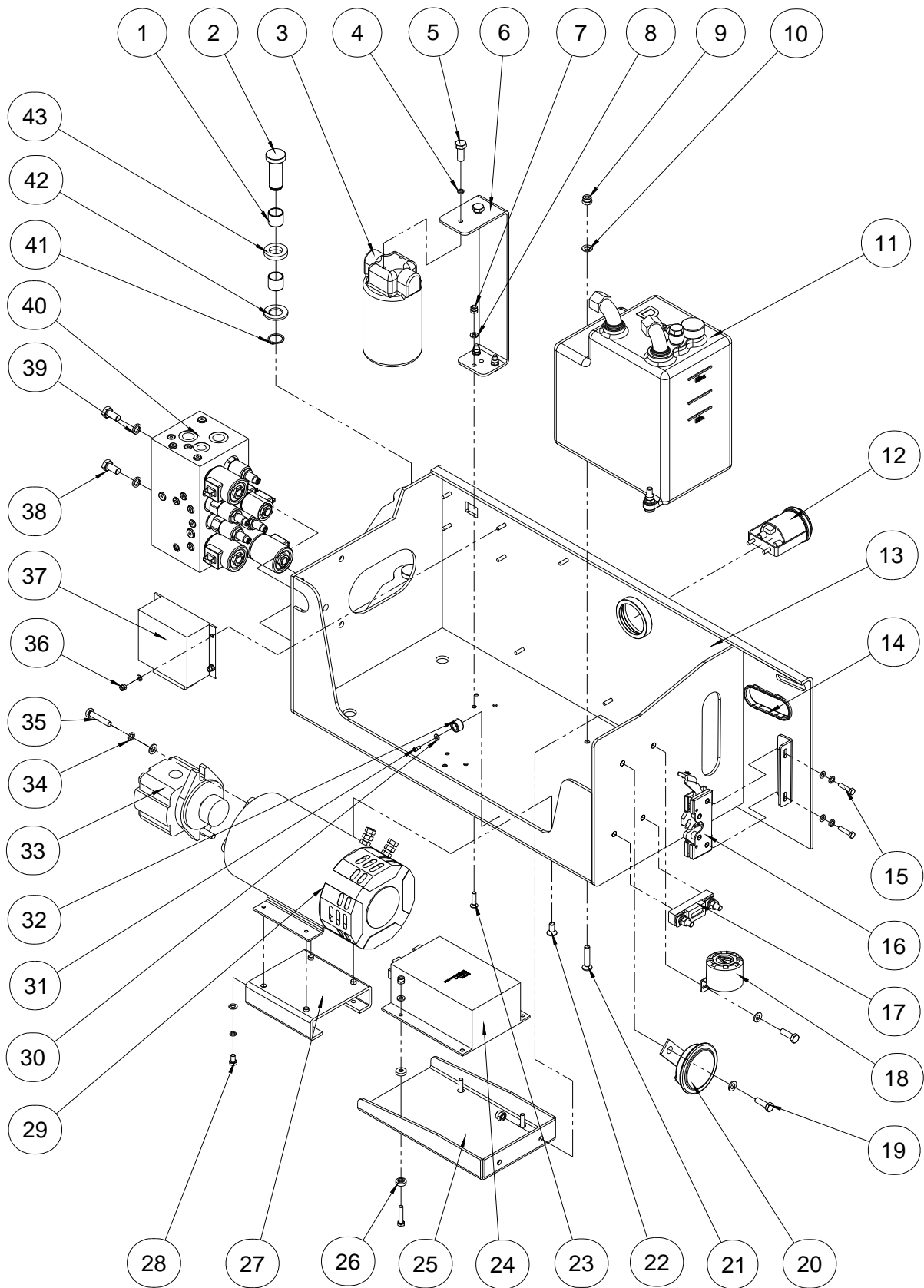


**Figure 1-8 Battery Pack Module**

Item	Part Number	Description	Qty.	Remark
1	6901-0306210-01	Battery	4	
2	JCPT0807HD-121006	Perch	1	
3	GB/T 97.1-2002	Washer 8	2	
4	GB/T 6182-2000	Nut M8	2	
5	JCPT0807HD-131001	Pin	2	
6	8812-202320	Bearing	4	
7	JCPT0807HD-121007	Washer	2	
8	GB/T 97.1-2002	Washer 20	2	
9	GB/T 894.2-1986	Circlips for shaft 20	2	
10	JCPT0807HD-121100	Battery box	1	
11	GB/T 70.1-2000	Screw M5×10	1	
12	GB/T 97.1-2002	Washer 5	1	
13	JCPT3707M-41002	Latex mat	1	
14	50076-01	Lock	1	
15	GB/T 6182-2000	Nut M6	2	
16	GB/T 97.1-2002	Washer 6	2	
17	GB/T 93-1987	Spring washer 6	2	
18	GB/T 5783-2000	Bolt M6×30	2	
19	6909-0600200-01	Power switch	1	
20	GB/T 818-2000	Screw M6×16-H	2	
21	JCPT1212HD-121021	Handle hole ring	1	



Figure 1-9 Pumping Station Box (JCPT0807HD)



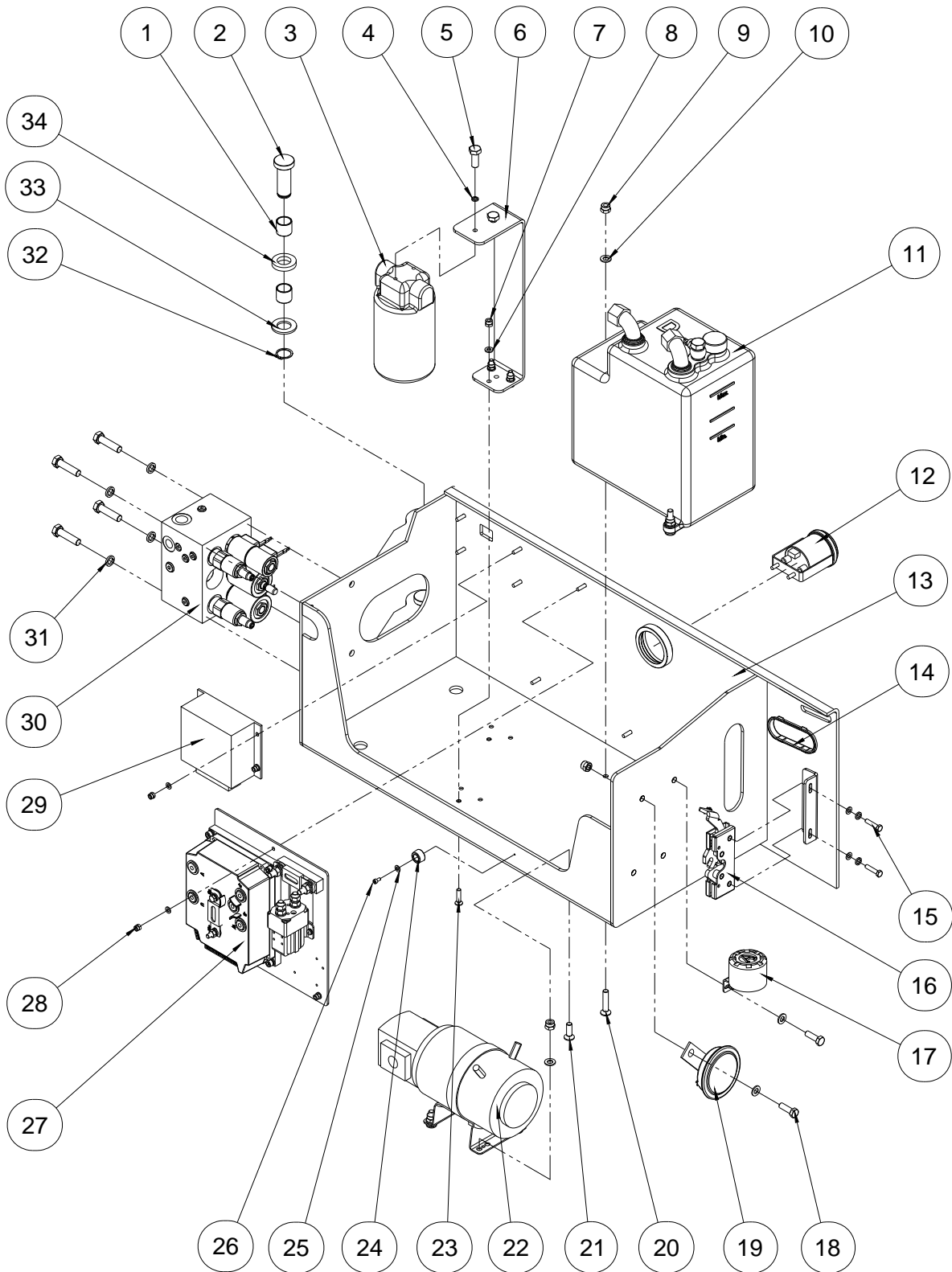
**Figure 1-9 Pumping Station Box (JCPT0807HD)**

Item	Part Number	Description	Qty.	Remark
1	8812-202320	Bearing	4	
2	JCPT0807HD-131001	Hinge	2	
3	5899-0312	Oil filter	1	
--	5899-0412	Filter element	1	
4	GB/T 93-1987	Spring washer 6	8	
5	GB/T 5783-2000	Bolt M6x20	2	
6	JCPT0807HD-131015	Filter seat	1	
7	GB/T 6182-2000	Nut M6	7	
8	GB/T 97.1-2002	Washer 6	13	
9	GB/T 6182-2000	Nut M8	4	
10	GB/T 97.1-2002	Washer 8	6	
11	JCPT0807HD-551100	Hydraulic oil tank assembly (Refer to 1-11)	1	
12	6908-0100103-01	Motor hour meter	1	
13	JCPT0807HD-131100	Pump box	1	
14	JCPT1212HD-121021	Handle hole ring	1	
15	GB/T 5783-2000	Bolt M6x25	6	
16	50076-01	Lock	1	
17	6906-5102300-01	Fuse 300A	1	
18	6915-0103000-01	Alarm	1	
19	GB/T 5783-2000	Bolt M8x25	2	
20	6915-0203105-01	Horn	1	
21	GB/T 70.3-2000	Screw M8x25	2	
22	GB/T 70.3-2000	Screw M8x20	4	
23	GB/T 70.3-2000	Screw M6x16	3	
24	6904-0203275-02	Pump control	1	
25	JCPT1212HD-131020	Seat	1	
26	JCPT1212HD-131007	Washer	8	
27	JCPT0807HD-131014	Motor plate	1	

**Figure 1-9 Pumping Station Box (JCPT0807HD)**

Item	Part Number	Description	Qty.	Remark
28	GB/T 5783-2000	Bolt M6×20	4	
29	6903-0103300-01	Motor	1	
30	GB/T 97.1-2002	Washer 5	5	
31	GB/T 973-1976	Screw M5×10	1	
32	JCPT3707M-41002	Rubber pad	1	
33	5802-032-01	Pump	1	
34	GB/T 93-1987	Spring washer 8	2	
35	3/8-24×1.5-C	Bolt 3/8-24×1.5-C	2	
36	GB/T 6182-2000	Nut M5	4	
37	6904-0102002-01	ECU modular	1	
38	GB/T 5783-2000	Bolt M10×25	2	
39	GB/T 93-1987	Spring washer 10	2	
40	5805-01016	Function manifold (Refer to 4-4)	1	
41	GB/T 894.2-1986	Circlips for shaft 20	2	
42	GB/T 97.1-2002	Washer 20	2	
43	JCPT0807HD-121007	Copper washer	2	

Figure 1-10 Pumping Station Box (JCPT0807DC)



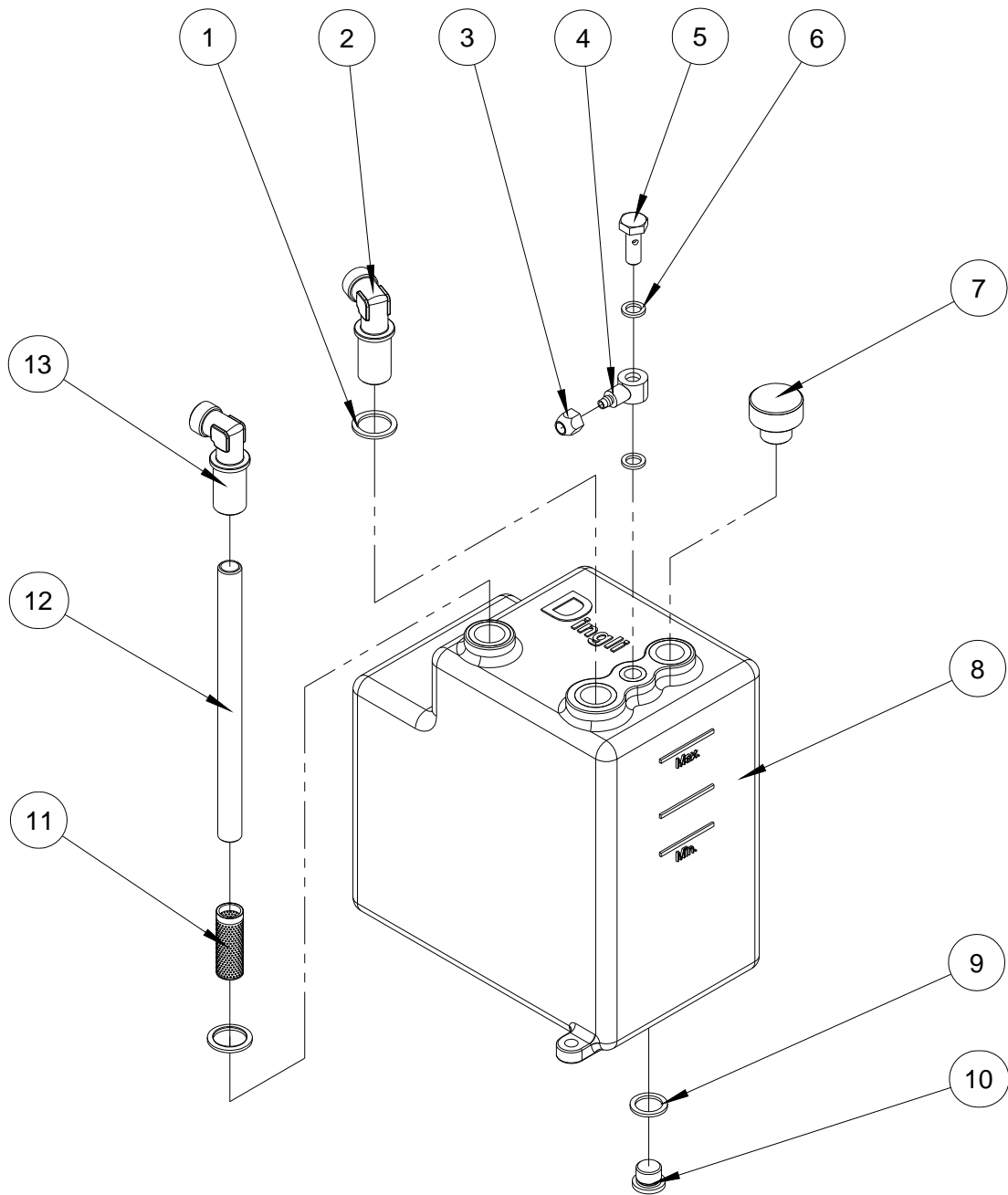
**Figure 1-10 Pumping Station Box (JCPT0807DC)**

Item	Part Number	Description	Qty.	Remark
1	8812-202320	Bearing	4	
2	JCPT0807HD-131001	Hinge	2	
3	5899-0312	Oil filter	1	
--	5899-0412	Filter element	1	
4	GB/T 93-1987	Spring washer 6	4	
5	GB/T 5783-2000	Bolt M6x20	2	
6	JCPT0807HD-131015	Filter seat	1	
7	GB/T 6182-2000	Nut M6	3	
8	GB/T 97.1-2002	Washer 6	5	
9	GB/T 6182-2000	Nut M8	8	
10	GB/T 97.1-2002	Washer 8	8	
11	JCPT0807HD-551100	Hydraulic oil tank assembly (Refer to 1-11)	1	
12	6908-0100103-01	Motor hour meter	1	
13	JCPT0807HD-131100	Pump box	1	
14	JCPT1212HD-121021	Handle hole ring	1	
15	GB/T 5783-2000	Bolt M6x25	2	
16	50076-01	Lock	1	
17	6915-0103000-01	Alarm	1	
18	GB/T 5783-2000	Bolt M8x25	6	
19	6915-0203105-01	Horn	1	
20	GB/T 70.3-2000	Screw M8x25	2	
21	GB/T 70.3-2000	Screw M8x20	4	
22	JCT0807DC-221100	Pump motor assembly	1	
--	JCT0807DC-221110	Motor	1	
--	5802-032-02	Pump	1	
23	GB/T 70.3-2000	Screw M6x16	3	
24	JCPT3707M-41002	Rubber pad	1	
25	GB/T 97.1-2002	Washer 5	8	

**Figure 1-10 Pumping Station Box (JCPT0807DC)**

Item	Part Number	Description	Qty.	Remark
26	GB/T 973-1976	Screw M5x10	1	
27	JCPT0807DC-711100	Control electrical assembly (Refer to 1-12)	1	
28	GB/T 6182-2000	Nut M5	7	
29	6904-0102002-01	ECU modular	1	
30	5805-01015	Function manifold (Refer to 4-5)	1	
31	GB/T 93-1987	Spring washer 8	4	
32	GB/T 894.2-1986	Circlips for shaft 20	2	
33	GB/T 97.1-2002	Washer 20	2	
34	JCPT0807HD-121007	Copper washer	2	

Figure 1-11 Hydraulic Tank

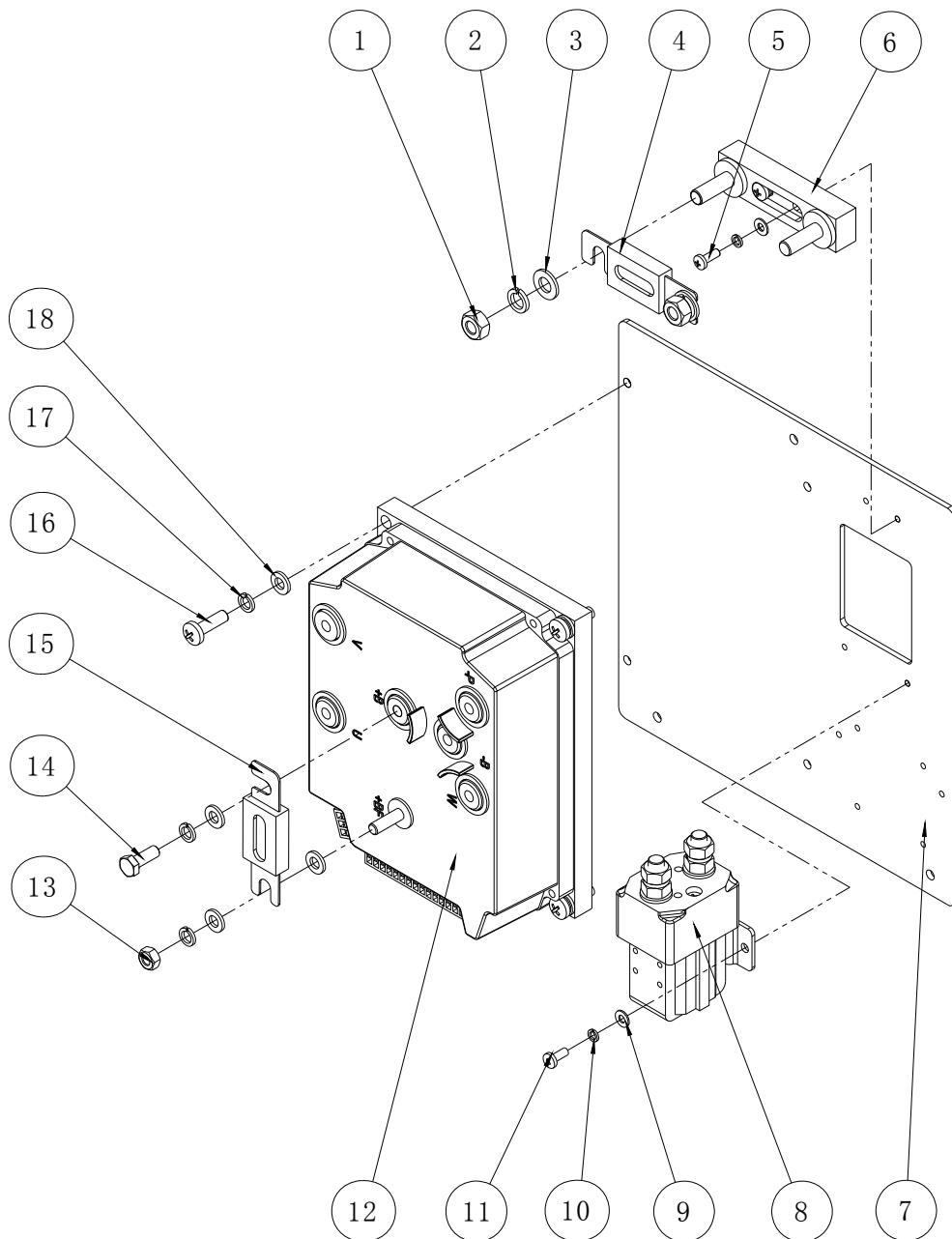


**Figure 1-11 Hydraulic Tank**

Item	Part Number	Description	Qty.	Remark
1	JB/T982-1977	Washer 22	2	
2	WSV15LA3C	Fitting M22x1.5	1	
3	TYGJT-302	Nut	1	
4	TYGJT-402	Seat	1	
5	TYGJT-401	Bolt	1	
6	JB/T982-1977	Washer 14	2	
7	7JAA002	Breath nut	1	
8	JCPT0807HD-551110	Tank	1	
9	JB/T982-1977	Washer 18	1	
10	JB/ZQ4444-1986	Plug screw	1	
11	JCPT0807HD-551123	Filter	1	
12	JCPT0807HD-551121	Suction pipe	1	
13	JCPT0807HD-551122	Fitting	1	



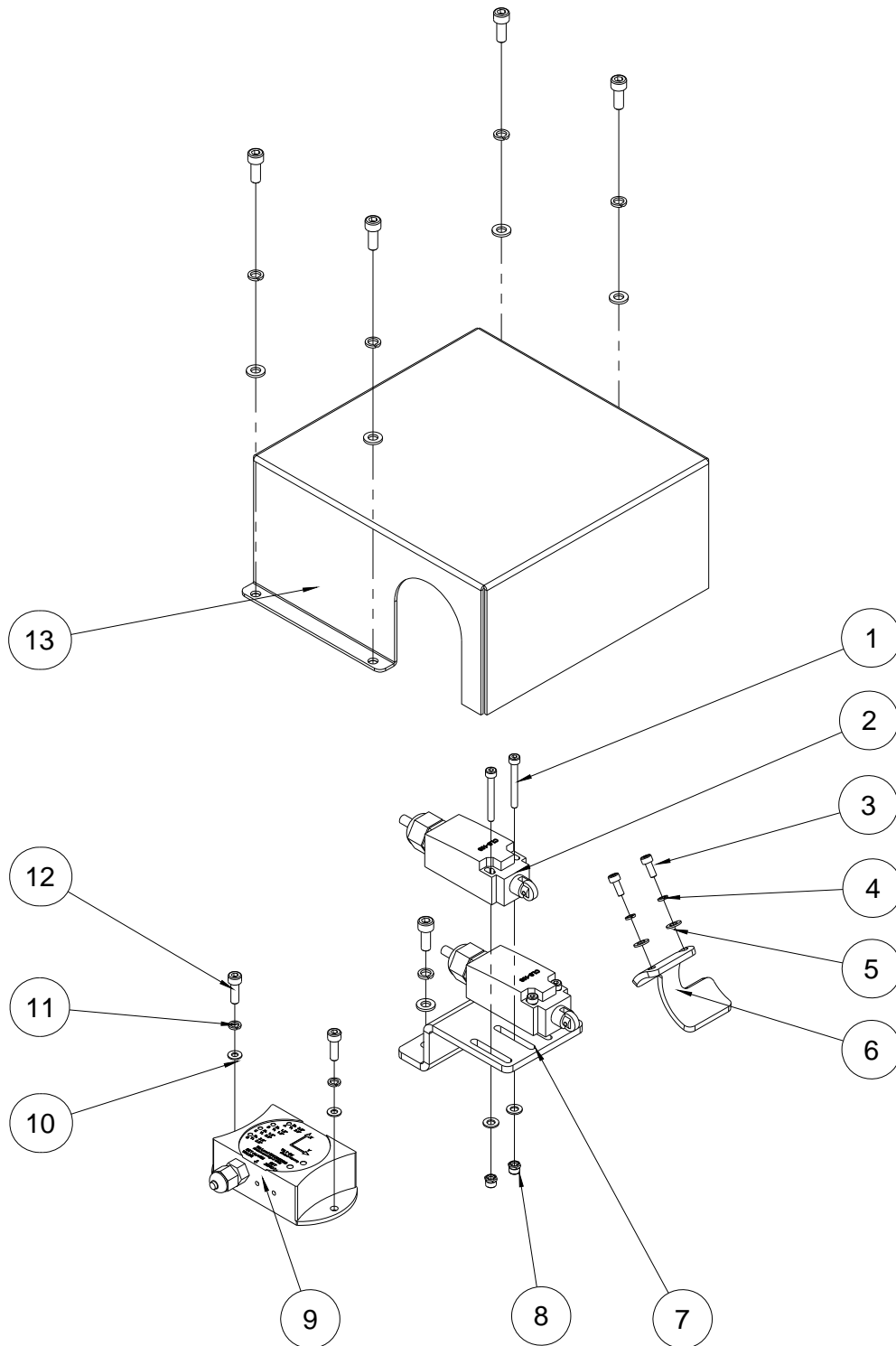
Figure 1-12 Control Electrical (JCPT0807DC)



**Figure 1-12 Control Electrical (JCPT0807DC)**

Item	Part Number	Description	Qty.	Remark
1	GB/T 6170-2000	Nut M8	2	
2	GB/T 93-1987	Spring washer 8	2	
3	GB/T 97.1-2002	Washer 8	2	
4	6906-5102250-01	Fuse 250A	1	
5	GB/T 818-2000	Screw M4×16-H	2	
6	6906-9100002-01	Fuse seat	1	
7	JCPT0807DC-711101	Seat	1	
8	6906-0303100-01	DC Contactor	1	
9	GB/T 97.1-2002	Washer 4	4	
10	GB/T 93-1987	Spring washer 4	4	
11	GB/T 818-2000	Screw M4×10-H	2	
12	6904-0204280-01	Drive controller	1	
13	GB/T 6170-2000	Nut M6	1	
14	GB/T 5783-2000	Bolt M6×16	1	
15	6906-5102350-01	Fuse 350A	1	
16	GB/T 818-2000	Screw M6×16	4	
17	GB/T 93-1987	Spring washer 6	6	
18	GB/T 97.1-2002	Washer 6	7	

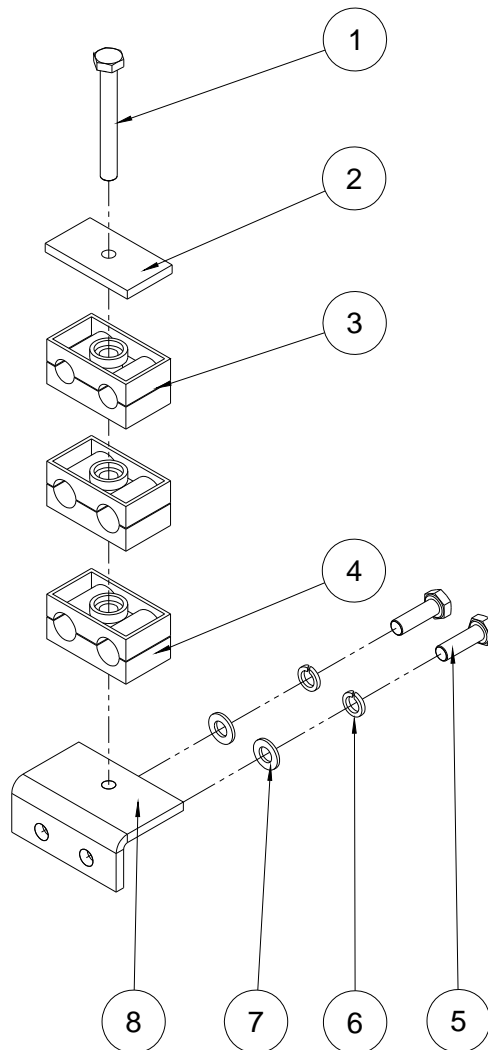
Figure 1-13 Limit Switch Assembly



**Figure 1-13 Limit Switch Assembly**

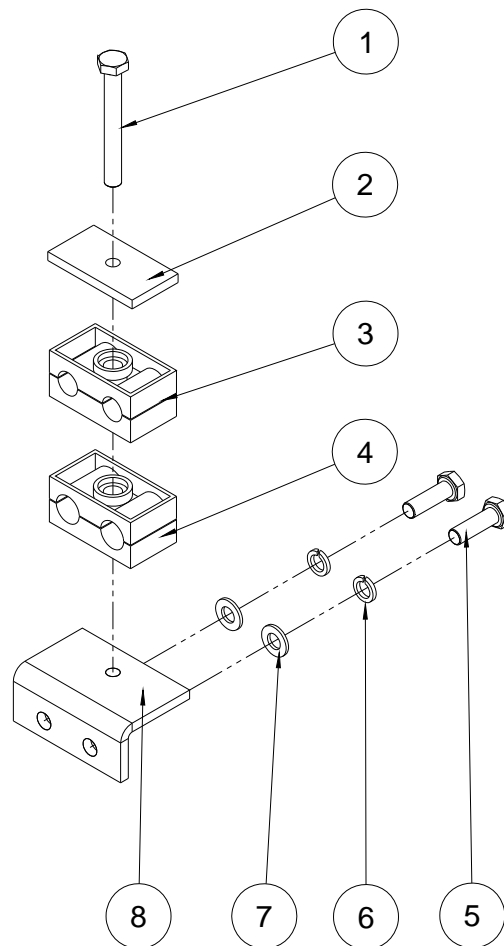
Item	Part Number	Description	Qty.	Remark
1	GB/T 70.1-2000	Screw M4x35	4	
2	6909-0752020-01	Travel switch	2	
3	GB/T 70.1-2000	Screw M4x12	2	
4	GB/T 93-1987	Spring washer 4	2	
5	GB/T 97.1-2002	Washer 4	6	
6	JCPT0807-710003	Signal plate	1	
7	JCPT0807-710002	Key seat	1	
8	GB/T 889.1-2000	Nut M4	4	
9	6905-0200021-01	Level sensor	1	
10	GB/T 97.1-2002	Washer 5	8	
11	GB/T 93-1987	Spring washer 5	8	
12	GB/T 70.1-2000	Screw M5x12	8	
13	JCPT0807-710001	Cover	1	

**Figure 1-14 Oil Pipe Btacket Assembly (HD Motor Drive)**



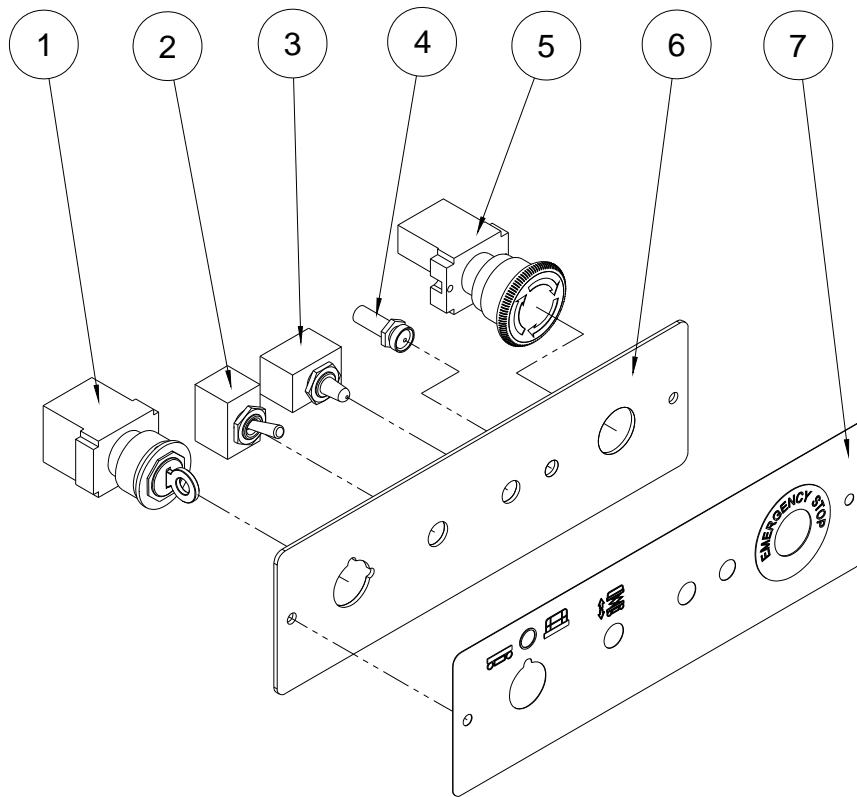
**Figure 1-14 Oil Pipe Btacket Assembly (HD Motor Drive)**

Item	Part Number	Description	Qty.	Remark
1	GB/T 5780-2000	Bolt M8x65	1	
2	TT-G2	Baseplate	1	
3	5899-1211	Oil pipe clamp 212.7	1	
4	5899-1212	Oil pipe clamp 215	2	
5	GB/T 5781-2000	Bolt M8x25	2	
6	GB/T 93-1987	Spring washer 8	2	
7	GB/T 97.1-2002	Washer 8	2	
8	JCPT1212HD-571101	Bracket	1	

**Figure 1-15 Oil Pipe Backet Assembly (DC Motor Drive)****Figure 1-15 Oil Pipe Backet Assembly (DC Motor Drive)**

Item	Part Number	Description	Qty.	Remark
1	GB/T 5780-2000	Bolt M8x65	1	
2	TT-G2	Baseplate	1	
3	5899-1211	Oil pipe clamp 212.7	1	
4	5899-1212	Oil pipe clamp 215	1	
5	GB/T 5781-2000	Bolt M8x25	2	
6	GB/T 93-1987	Spring washer 8	2	
7	GB/T 97.1-2002	Washer 8	2	
8	JCPT1212HD-571101	Bracket	1	

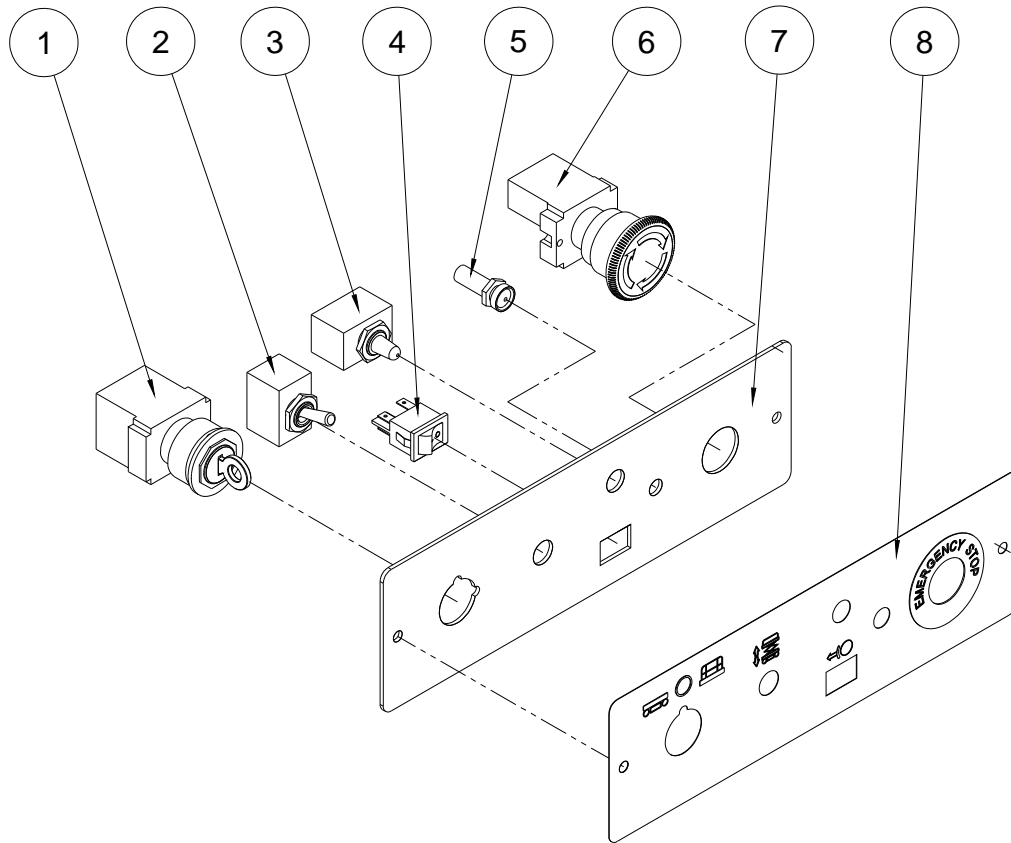
**Figure 1-16 Ground Control Panel Assembly (HD Motor Drive)**



**Figure 1-16 Ground Control Panel Assembly (HD Motor Drive)**

Item	Part Number	Description	Qty.	Remark
1	6909-0400032-01	Key switch	1	
2	6909-0100322-02	Up-down switch	1	
3	6906-5103007-01	7 amp breaker for electric circuits	1	
4	6914-0300034-01	Indicator	1	
5	6909-0501140-01	Emergency stop	1	
6	JCPT1212HD-101401	Panel	1	
7	JCPT1212HD-101402	Paster	1	

**Figure 1-17 Ground Control Panel Assembly (DC Motor Drive)**

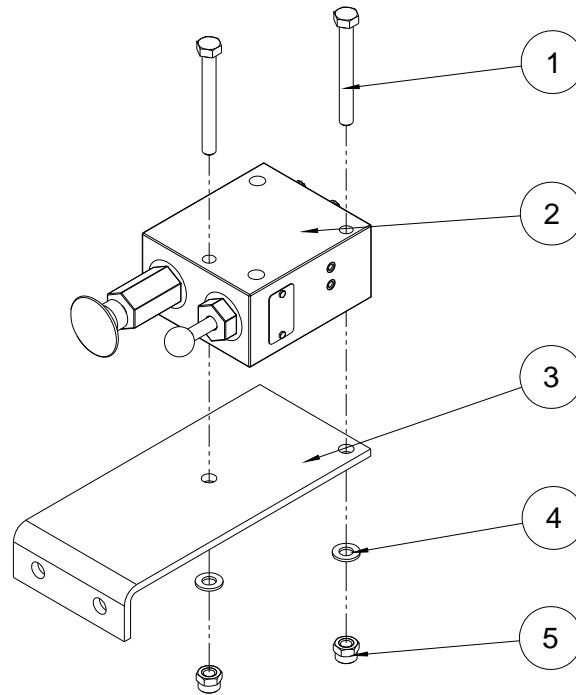


**Figure 1-17 Ground Control Panel Assembly (DC Motor Drive)**

Item	Part Number	Description	Qty.	Remark
1	6909-0400032-01	Key switch	1	
2	6901-0100322-02	Up-down switch	1	
3	6906-5103007-01	7 amp breaker for electric circuits	1	
4	6909-0920400-01	Brake reset switch	1	
5	6914-0300034-01	Indicator	1	
6	6909-0501140-01	Emergency stop	1	
7	JCPT0807DC-641001	Panel	1	
8	JCPT0807DC-641011	Paster	1	



**Figure 1-18 Manual Pump Assembly (HD Motor Drive)**



**Figure 1-18 Manual Pump Assembly (HD Motor Drive)**

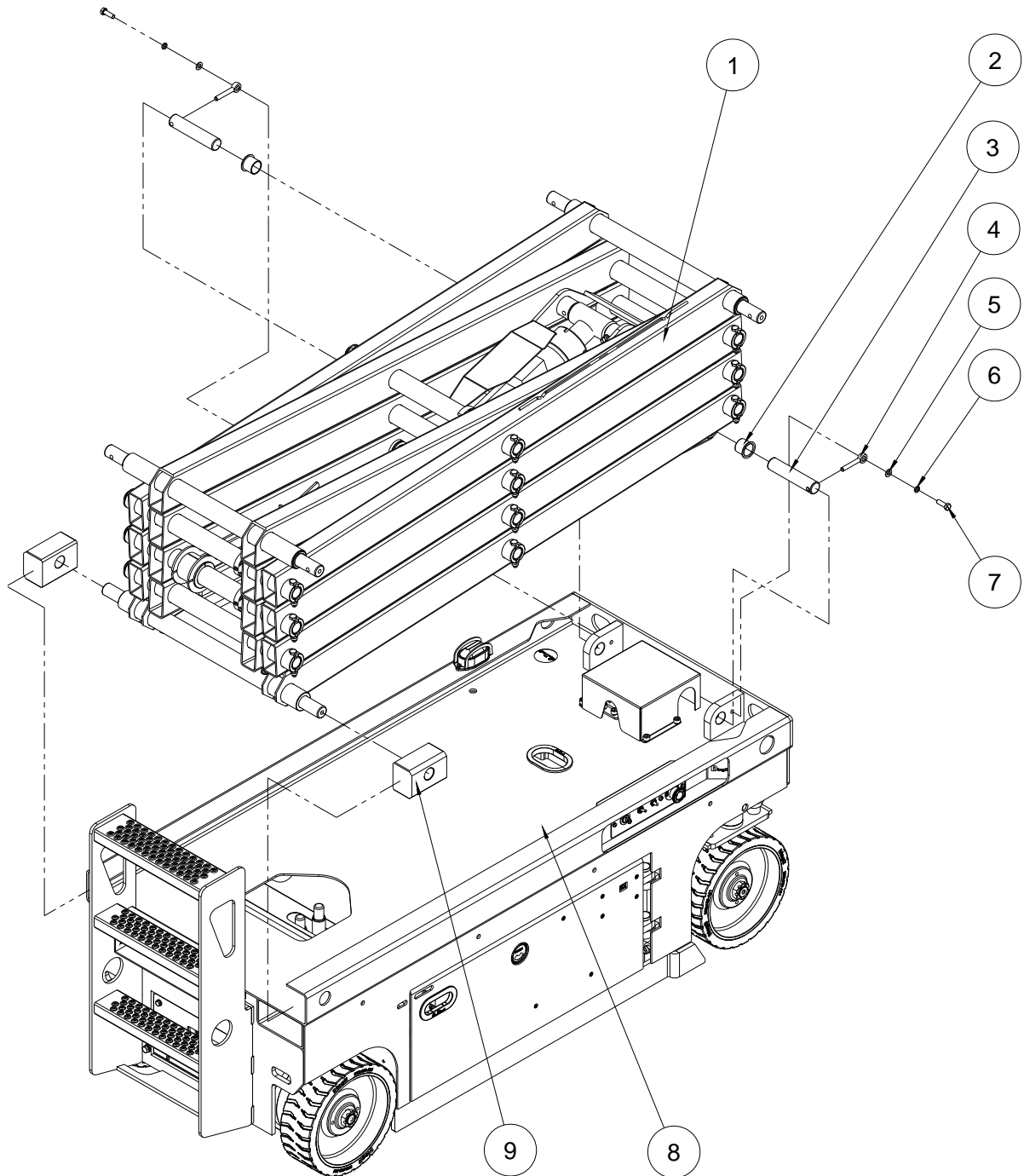
Item	Part Number	Description	Qty.	Remark
1	GB/T 5782-2000	Bolt M8×70	2	
2	5811-0111	Manual pump	1	
3	JCPT1212HD-101201	Mounting plate	1	
4	GB/T 97.1-2002	Washer 8	2	
5	GB/T 6182-2000	Nut M8	2	



# Scissor

## Section 2

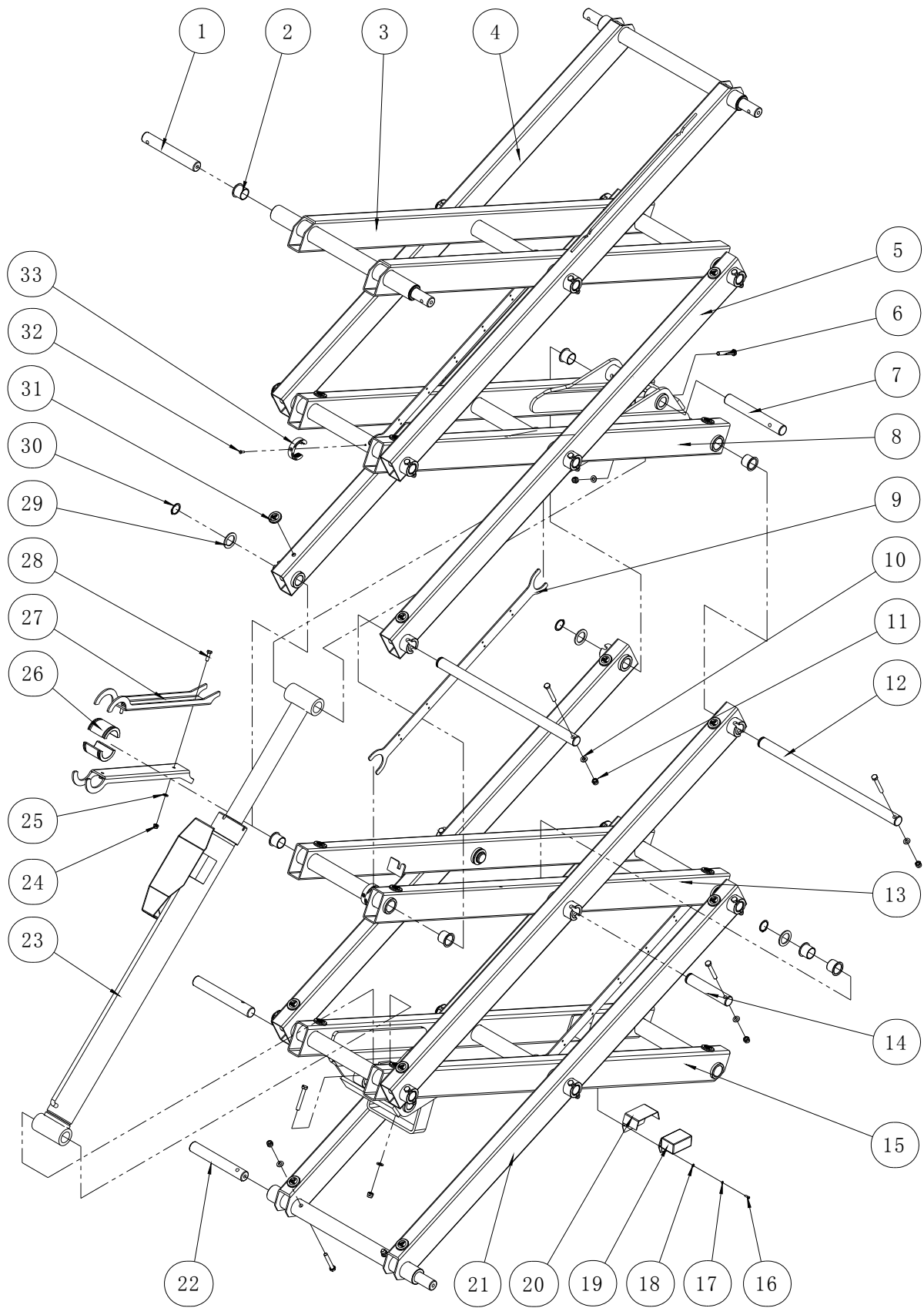
Figure 2-1 Scissor and Chassis Installations



**Figure 2-1 Scissor and Chassis Installations**

Item	Part Number	Description	Qty.	Remark
1	JCPT0807-131000	Scissor assembly (Refer to 2-2)	1	
2	8822-3230	Bearing CSB-50F3230	2	
3	JCPT0807-131005	Fastness base Axle	2	
4	8902-10060	Axle 10x60	2	
5	GB/T 97.1-2002	Washer 10	2	
6	GB/T 93-1987	Spring washer 10	2	
7	GB/T 5783-2000	Bolt M10x35	2	
8	JCPT0807HD-101000	Chassis assembly (Refer to 1-1)	1	JCPT0807HD
	JCPT0807DC-101000	Chassis assembly (Refer to 1-1)	1	JCPT0807DC
9	JCPT0807-131001	Bottom slider	2	

Figure 2-2 Scissor Assembly



**Figure 2-2 Scissor Assembly**

Item	Part Number	Description	Qty.	Remark
1	JCPT0807-131002	Top slider axle	4	
2	8822-3230	Bearing CSB-50F3230	26	
3	JCPT0807-131700	Inner arm 4	1	
4	JCPT0807-131600	Outer arm 4	1	
5	JCPT0807-131300	Inner arm 2	2	
6	GB/T 5780-2000	Bolt M10x70	15	
7	JCPT0807-131004	Cylinder axle	2	
8	JCPT0807-131500	Inner arm 3	1	
9	JCPT0807-131011	Through line Bridge	3	
10	GB/T 97.1-2002	Washer 10	15	
11	GB/T 889.1-2000	Nut M10	15	
12	JCPT0807-131003	Long Axle	9	
13	JCPT0807-131400	Inner arm 2	1	
14	JCPT0807-131007	Short Axle	2	
15	JCPT0807-131200	Inner arm 1	1	
16	GB/T 70.1-2000	Screw M4x12	2	
17	GB/T 93-1987	Spring washer 4	2	
18	GB/T 97.1-2002	Washer 4	2	
19	6905-0200011-01	Sensor	1	
20	JCPT0807-110022L	Sensor Cover	1	
21	JCPT0807-131100	Outer arm 1	1	
22	JCPT0807-131015	Base slider axle	2	
23	JCPT0807-503100	Cylinder assembly (Refer to 4-1)	1	
24	GB/T 889.1-2000	Nut M8	2	
25	GB/T 97.1-2002	Washer 8	2	
26	JCPT0807-131008	Safety arm bushing	2	
27	JCPT0807-131009	Safety arm	2	
28	GB/T 5783-2000	Bolt M8x25	2	
29	JCPT0807-131006	Washer	11	

**Figure 2-2 Scissor Assembly**

<b>Item</b>	<b>Part Number</b>	<b>Description</b>	<b>Qty.</b>	<b>Remark</b>
30	GB/T 894.2-1986	Circlips for shaft 32	11	
31	JCPT1212HD-310038	Block	24	
32	GB/T 819.1-2000	Screw M5×16	6	
33	JCPT0807-131014	Uncork washer	6	

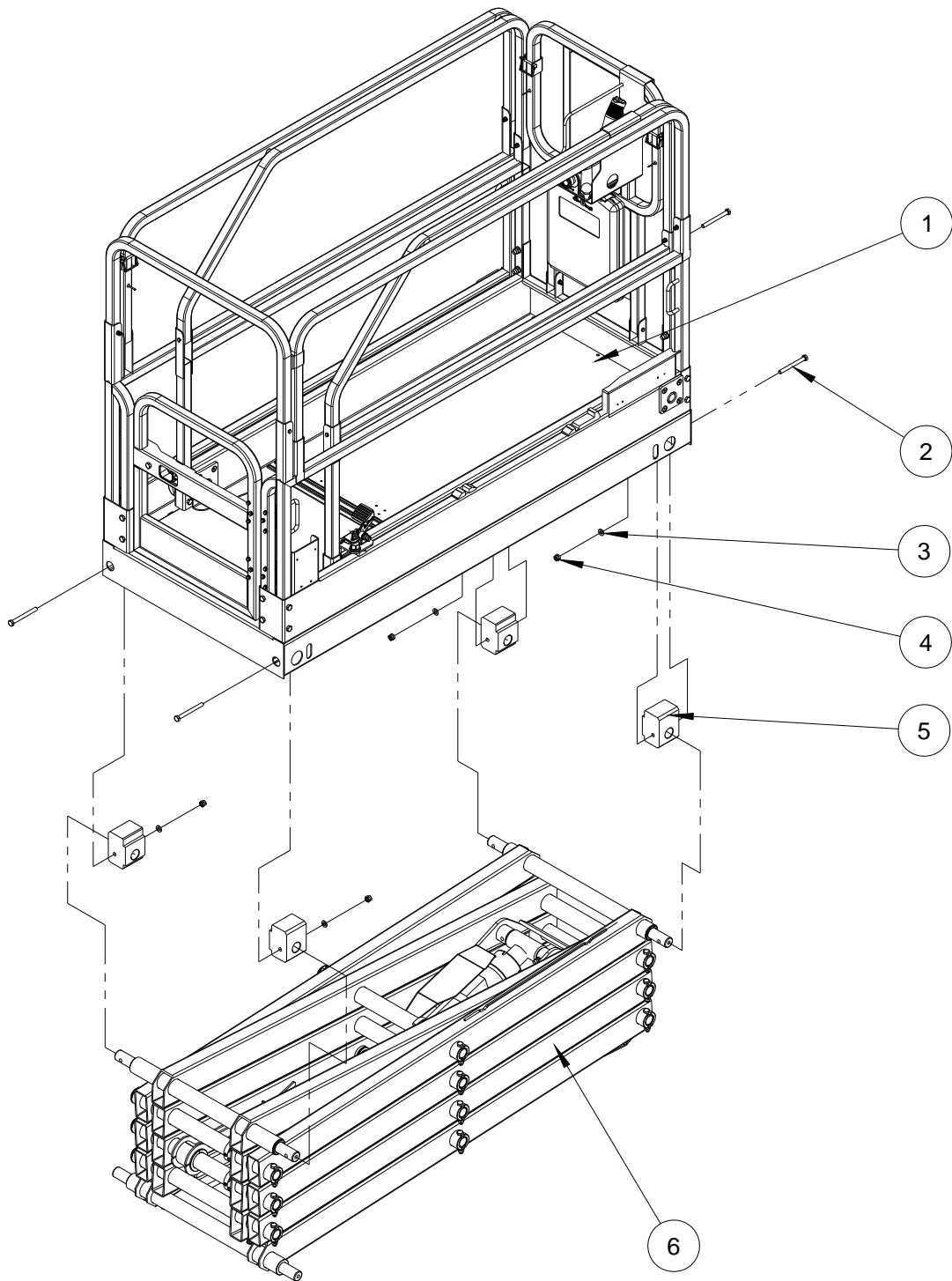




# Platform

## Section 3

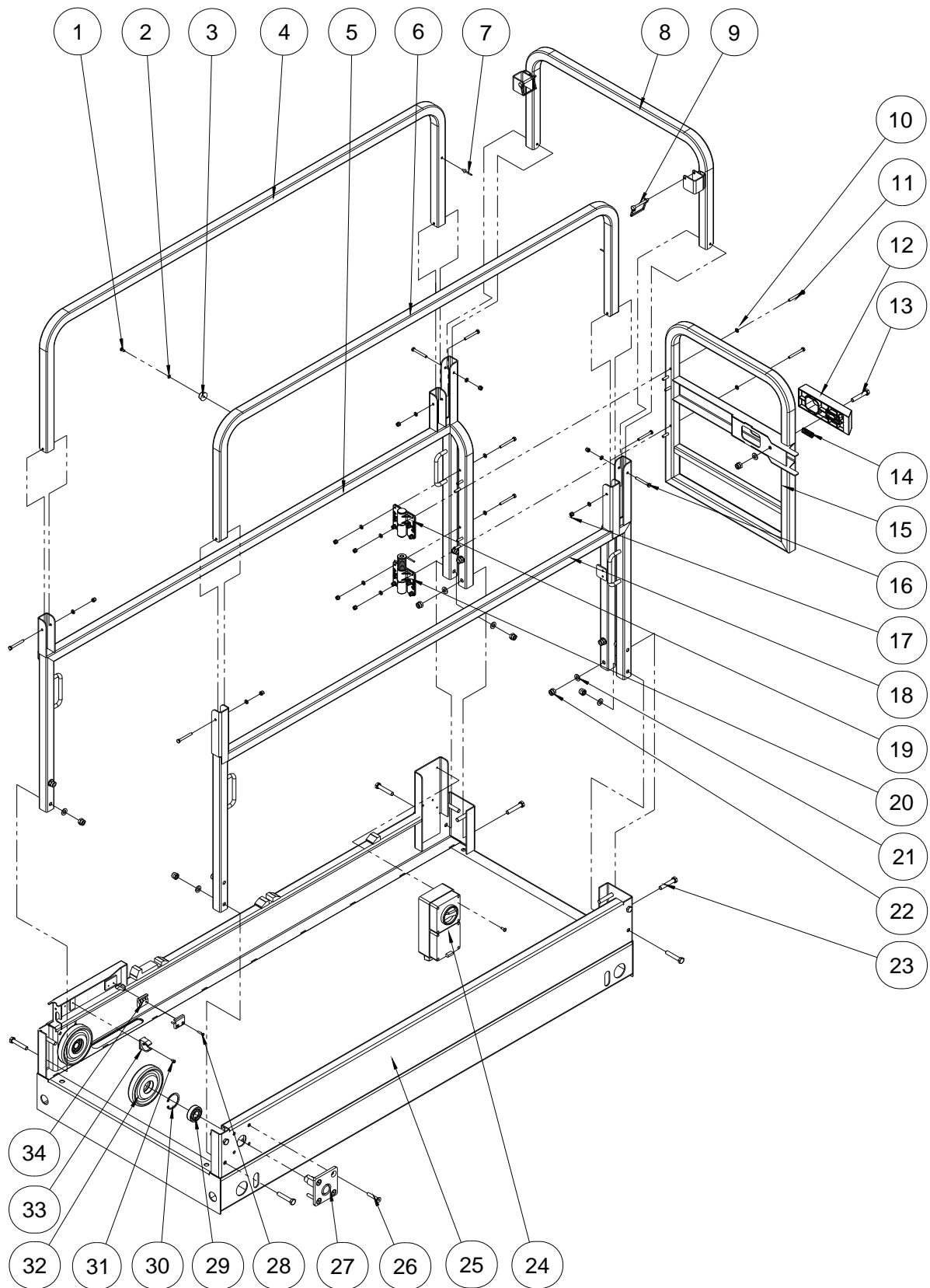
Figure 3-1 Platform and Scissor Installations



**Figure 3-1 Platform and Scissor Installations**

Item	Part Number	Description	Qty.	Remark
1	JCPT0807-41000	Platform assembly (Refer to 3-1 and 3-2)	1	
2	GB/T 5780-2000	Bolt M10×100	4	
3	GB/T 97.1-2002	Washer 10	4	
4	GB/T 6182-2000	Nut M10	4	
5	JCPT0807-131012	Slider	4	
6	JCPT0807-131000	Scissor assembly (Refer to 2-2)	1	

Figure 3-2 Main Platform Assembly



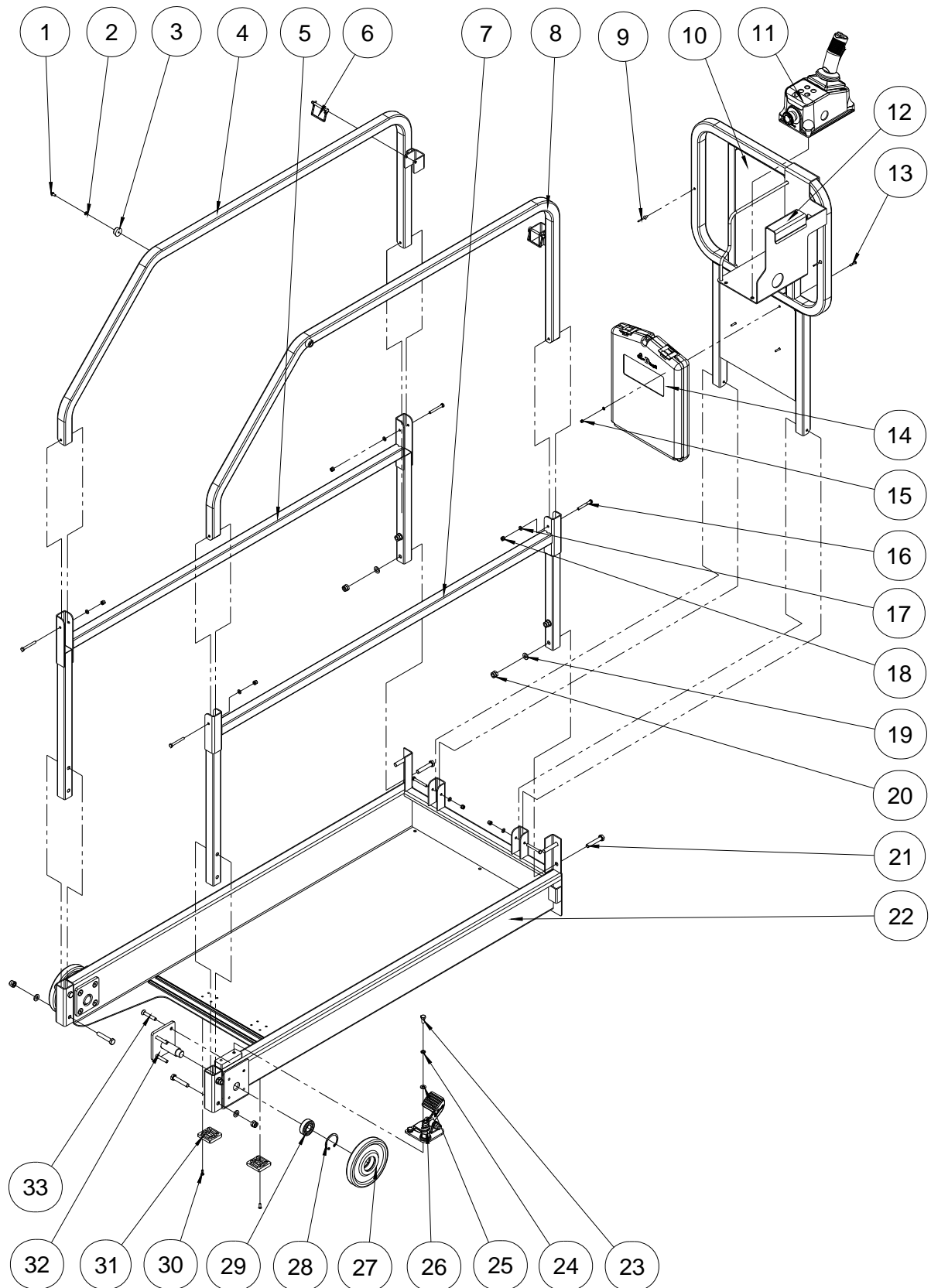
**Figure 3-2 Main Platform Assembly**

Item	Part Number	Description	Qty.	Remark
1	GB/T 973-1976	Screw M5x12	5	
2	GB/T 97.1-2002	Washer 5	1	
3	JCPT1212HD-402001	Rubber gasket	1	
4	JCPT0807-41810	Upper fixed guardrail	1	
5	JCPT0807-41820	Lower fixed guardrail	1	
6	JCPT0807-41410	Upper fixed guardrail	1	
7	GB/T 12615-1990	Rivet 4.8x16	2	
8	JCPT0807-41700	Block duct	1	
9	JCPT1212HD-41001	Inserted pin 6x45	2	
10	GB/T 97.1-2002	Washer 6	30	
11	GB/T 5782-2000	Bolt M6x55	12	
12	JCPT1212HD-41601	Doorknob	1	
13	GB/T 5782-2000	Bolt M10x55	1	
14	JCPT1212HD-141602	Spring	1	
15	JCPT0807-41610	Door	1	
16	GB/T 5780-2000	Bolt M6x50	6	
17	GB/T 6182-2000	Nut M6	18	
18	JCPT0807-41420	Lower fixed guardrail	1	
19	JCPT0808HD-141630	Hinge A	1	
20	JCPT0808HD-141640	Hinge B	1	
21	GB/T 97.1-2002	Washer 10	13	
22	GB/T 6182-2000	Nut M10	13	
23	GB/T 5780-2000	Bolt M10x55	12	
24	6999-0120003-01	Output socket	1	Option
25	JCPT0807-41100	Platform deck assembly	1	
26	GB/T 70.3-2000	Screw M8x45	8	
27	JCPT1212HD-41030	Roller bracket	2	
28	GB/T 70.1-2000	Screw M4x16	2	
29	GB/T 276-1994	Bearing 6204	2	

**Figure 3-2 Main Platform Assembly**

Item	Part Number	Description	Qty.	Remark
30	GB/T 893.1-1986	Circlips for holes 47	2	
31	GB/T 70.1-2000	Screw M4×10	1	
32	JCPT1212HD-41018	Roller	2	
33	6912-0300024-01	Clip 24	1	
34	GTWY8-320019	Wire clip	2	

Figure 3-3 Platform Extension Assembly



**Figure 3-3 Platform Extension Assembly**

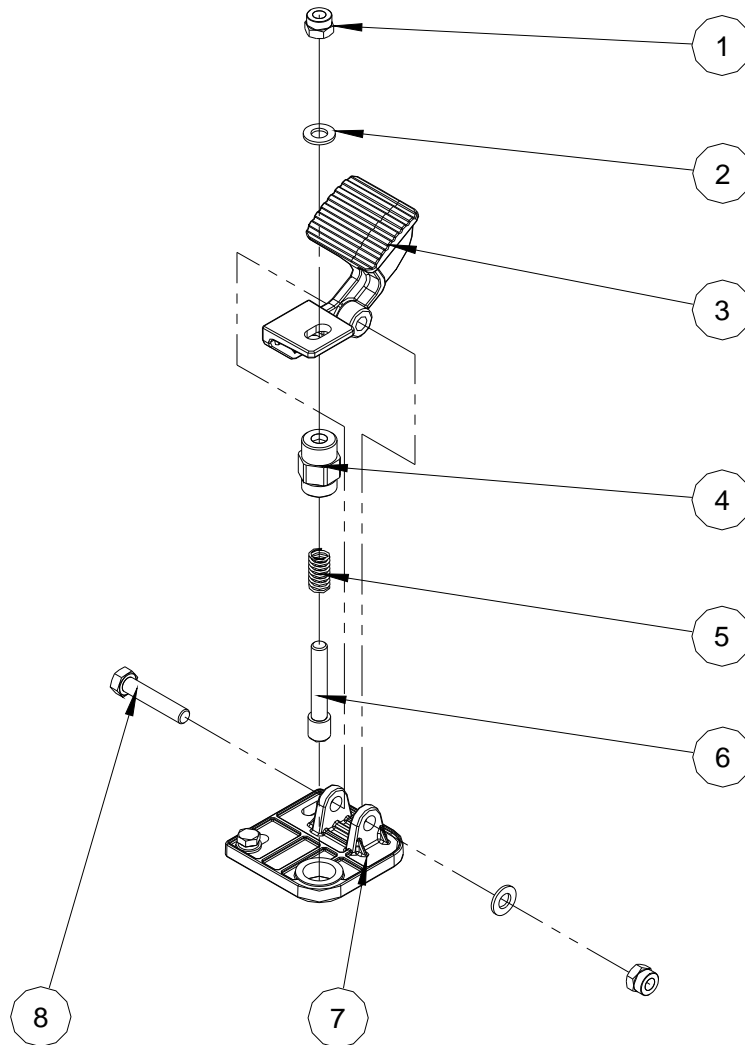
Item	Part Number	Description	Qty.	Remark
1	GB/T 973-1976	Screw M5×12	2	
2	GB/T 97.1-2002	Washer 5	6	
3	JCPT1212HD-402001	Rubber gasket	2	
4	JCPT0807-41350	Left moving rail	1	
5	JCPT0807-41330	Left lower rail	1	
6	JCPT1212HD-41001	Inserted pin 6×45	2	
7	JCPT0807-41310	Right lower rail	1	
8	JCPT0807-41320	Right moving rail	1	
9	GB/T 12615-1990	Rivet 4.8×16	2	
10	JCPT0807-41340	Front rail	1	
11	JCPT1212HD-720100	Platform control box (Refer to 3-5)	1	
12	JCPT1212HD-41019	Platform control box mount bracket	1	
13	GB/T 973-1976	Screw M5×16	4	
14	GTBZ16A-43500	Handbook box	1	
15	GB/T 6182-2000	Nut M5	4	
16	GB/T 5780-2000	Bolt M6×50	6	
17	GB/T 97.1-2002	Washer 6	6	
18	GB/T 6182-2000	Nut M6	6	
19	GB/T 97.1-2002	Washer 10	8	
20	GB/T 6182-2000	Nut M10	8	
21	GB/T 5780-2000	Bolt M10×55	8	
22	JCPT0807-41200	Platform extension deck assembly	1	
23	GB/T 5783-2000	Bolt M8×20	2	
24	GB/T 97.1-2002	Washer 8	2	
25	GB/T 93-1987	Spring washer 8	2	
26	JCPT1212HD-41900	Locking device (Refer to 3-4)	1	
27	JCPT1212HD-41017	Roller 2	2	
28	GB/T 893.1-1986	Circlips for holes 47	2	
29	GB/T 276-1994	Bearing 6204	2	

**Figure 3-3 Platform Extension Assembly**

Item	Part Number	Description	Qty.	Remark
30	GB/T 70.3-2000	Screw M5x16	8	
31	JCPT1212HD-41206	Slippage of Crutch	2	
32	JCPT1212HD-41030	Roller bracket	2	
33	GB/T 70.3-2000	Screw M8x55	8	



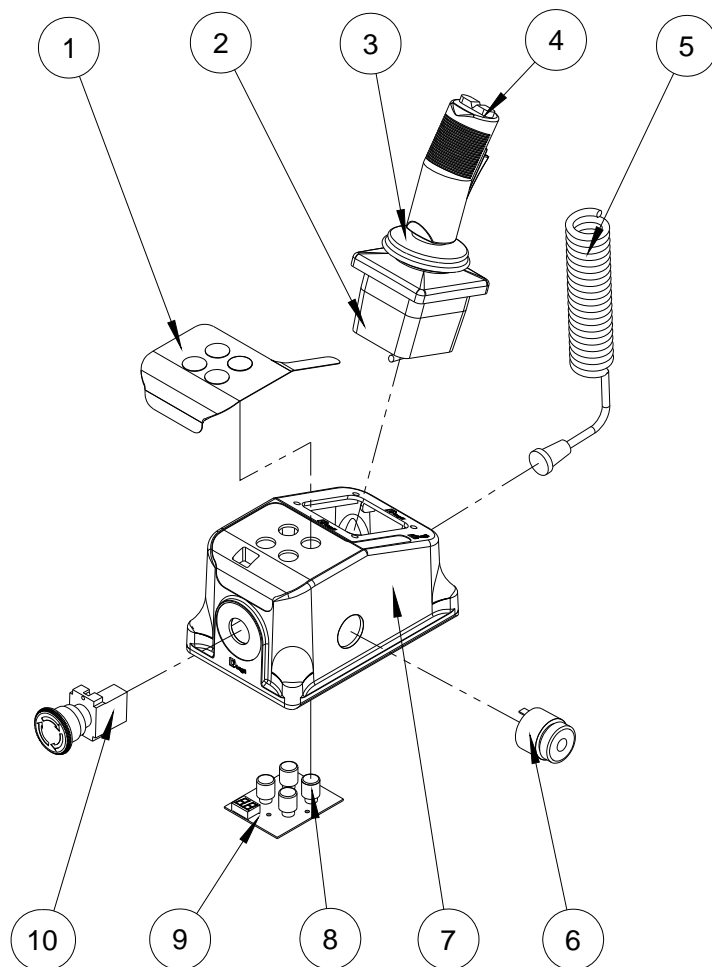
**Figure 3-4 Platform Locking Device**



**Figure 3-4 Platform Locking Device**

Item	Part Number	Description	Qty.	Remark
1	GB/T 6182-2000	Nut M10	2	
2	GB/T 97.1-2002	Washer 10	2	
3	JCPT1212HD-41910	Footpedal	1	
4	JCPT1212HD-41922	Lock pin housing	1	
5	JCPT1212HD-41921	Spring	1	
6	JCPT1212HD-41923	Lock pin	1	
7	JCPT1212HD-41930	Bracket	1	
8	GB/T 5782-2000	Bolt M10x50	1	

**Figure 3-5 Platform Control Box**



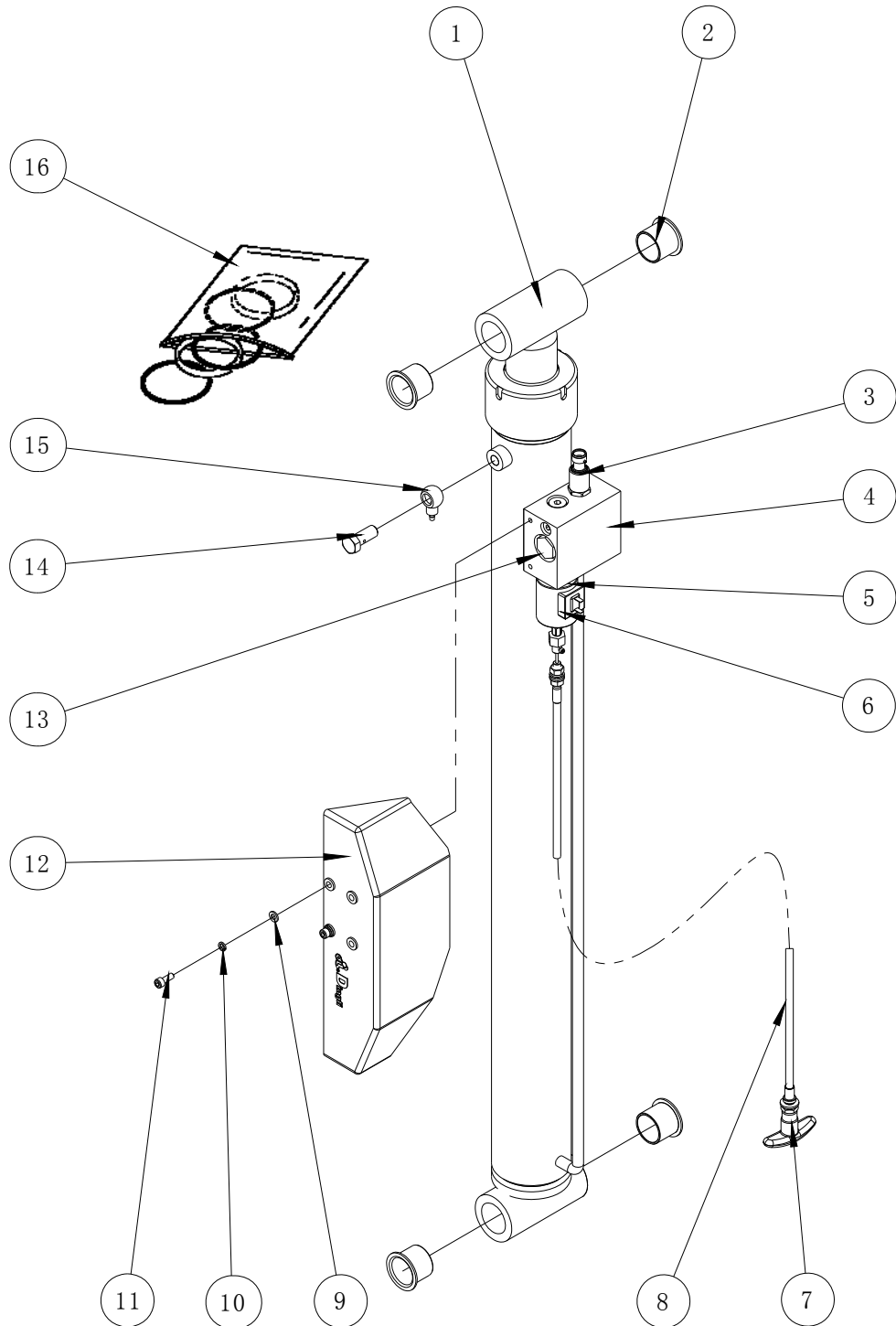
**Figure 3-5 Platform Control Box**

Item	Part Number	Description	Qty.	Remark
1	9114025	Decal	1	
2	JCPT1212HD-720110	Joystick	1	
3	JCPT1212HD-720101	Dustproof cover	1	
4	JCPT1212HD-720120	Switch boot (Including the switch)	1	
5	JCPT1212HD-720130	Coil cord	1	
6	JCPT1212HD-720102	Alarm	1	
7	JCPT1212HD-720140	Enclosure	1	
8	JCPT1212HD-720103	Button	4	
9	JCPT1212HD-720150	PC board	1	
10	JCPT1212HD-720160	Emergency stop switch	1	

# Hydraulic System

## Section 4

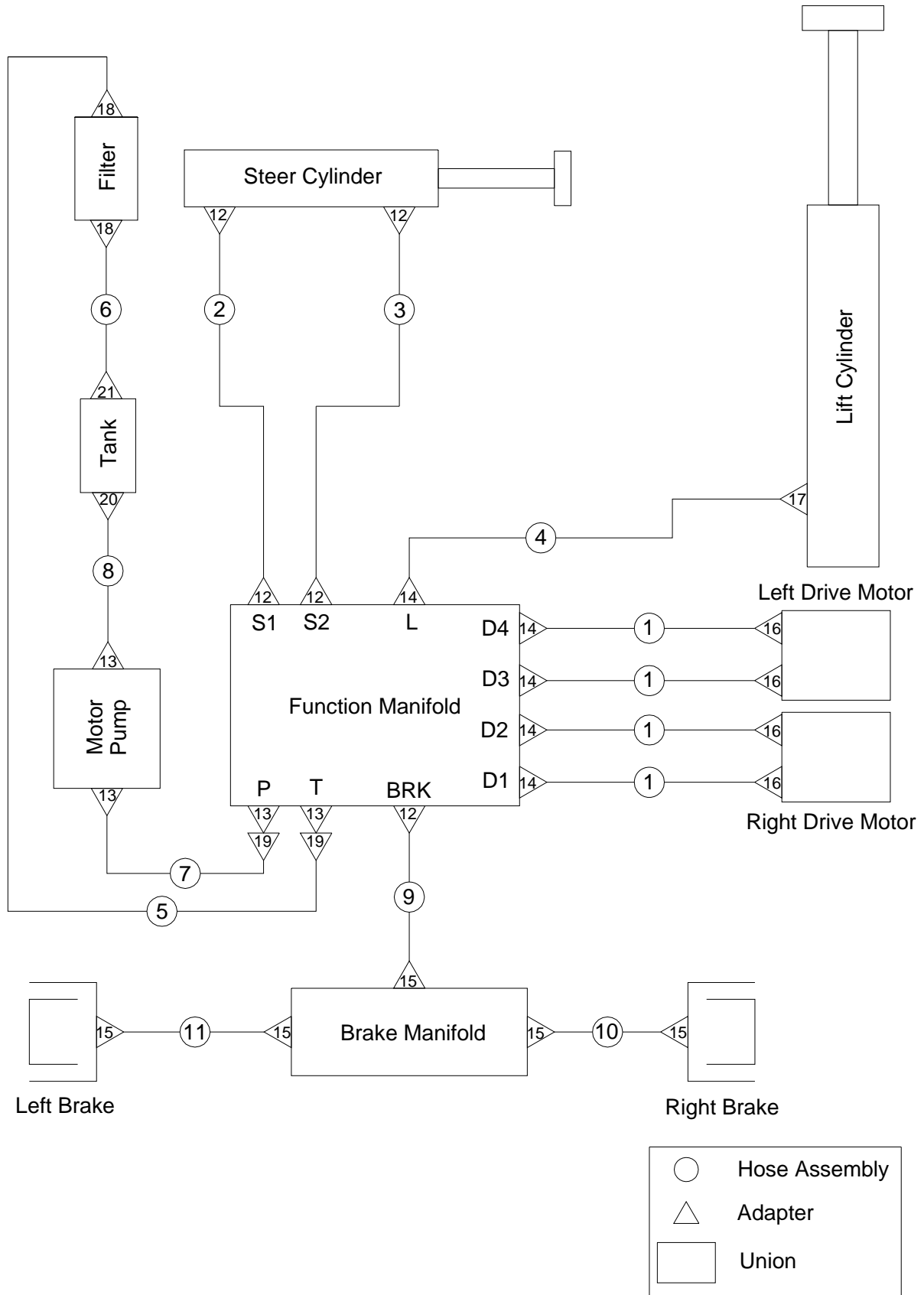
Figure 4-1 Hydraulic Cylinder Assembly



**Figure 4-1 Hydraulic Cylinder Assembly**

Item	Part Number	Description	Qty.	Remark
1	JCPT0807-503100	Lift cylinder	1	
2	8822-3230	Bearing CSB-50F3230	4	
3	HP330-250BG-4V	Pressure sensor	1	
4	NBCY-1001A-11	Valve manifolds	1	
5	SV38-20J	Lowering valve	1	
6	63510201613	Coil	1	
7	5X70	Lowering knob	1	
8	2.65m	Emergency down cable assembly	1	
9	GB/T 97.1-2002	Washer 6	2	
10	GB/T 93-1987	Spring washer 6	2	
11	GB/T 70.1-2000	Screw M6×16	2	
12	JCPT1212HD-530112	Cover	1	
13	CV08-20-0-N-4	Throttle Valve	1	
14	TYGJT-401	Pipeline bolt	1	
15	TYGJT-402	Piecing devices	1	
16	JCPT0807-503100-1	Seal kit	1	

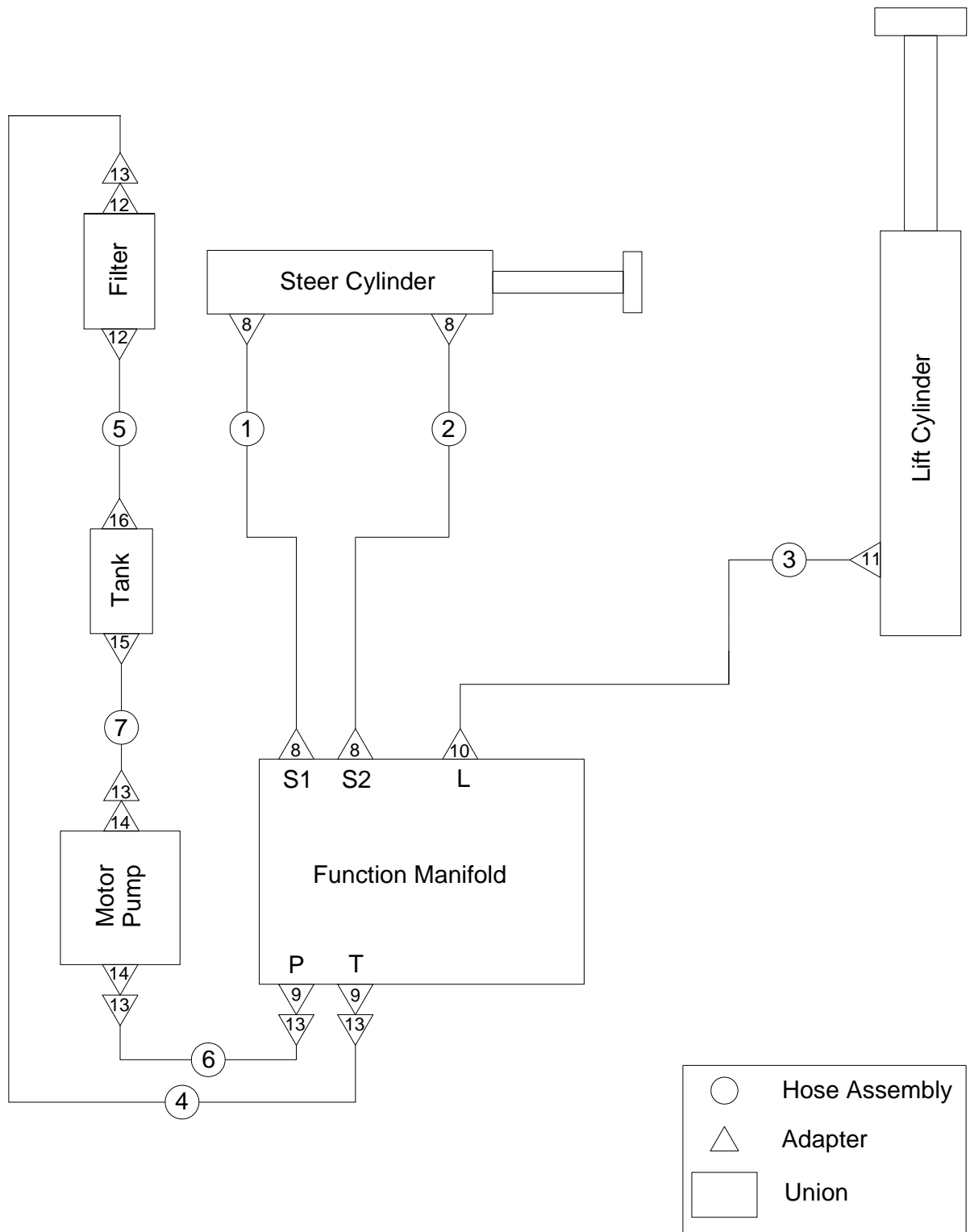
**Figure 4-2 Hydraulic Hoses and Fittings (JCPT0807HD)**



**Figure 4-2 Hydraulic Hoses and Fittings (JCPT0807HD)**

Item	Part Number	Description	Qty.	Remark
1	1SN08-M21513-05-16/M 21543-05-16-1350	Drive motors hose assembly	4	
2	1SN06-M21513-04-14/M 21513-04-14-850	Steer hose assembly	1	
3	1SN06-M21513-04-14/M 21513-04-14-900	Steer hose assembly	1	
4	1SN08-M21513-05-16/M 21513-05-16-3700	Lift cylinder hose assembly	1	
5	1SN12-M21513-08-22/M 21543-08-22-175	Manifold to filter hose assembly	1	
6	1SN12-M21513-08-22/M 21543-08-22-290	Tank return hose assembly	1	
7	2SN12-M21513-08-22/M 21593-08-22-225	Pressue hose assembly	1	
8	1SN12-M21513-08-22/M 21593-08-22-480	Draw hose assembly	1	
9	1SN06-M21513-04-14/M 21593-04-14-1750	Brake hose assembly	1	
10	1SN06-M21513-04-14/M 21593-04-14-400	Brake manifold hose assembly	1	
11	1SN06-M21513-04-14/M 21593-04-14-450	Brake manifold hose assembly	1	
12	GE08LM14x1.5EDA3C	Straight fitting	5	
13	GE15LMEDA3C	Straight fitting	4	
14	GE10LM16x1.5EDA3C	Straight fitting	5	
15	GE08L7/16UNFA3C	Straight fitting	5	
16	GE08L9/16UNFA3C	Straight fitting	4	
17	GE10LM18x1.5EDA3C	Straight fitting	1	
18	GE15LR3/4EDA3C	Straight fitting	2	
19	EW15L	Elbow	4	
20	JCPT0807HD-551122	Fitting	1	
21	WSV15LA3C	Fitting M22x1.5	1	

Figure 4-3 Hydraulic Hoses and Fittings (JCPT0807DC)

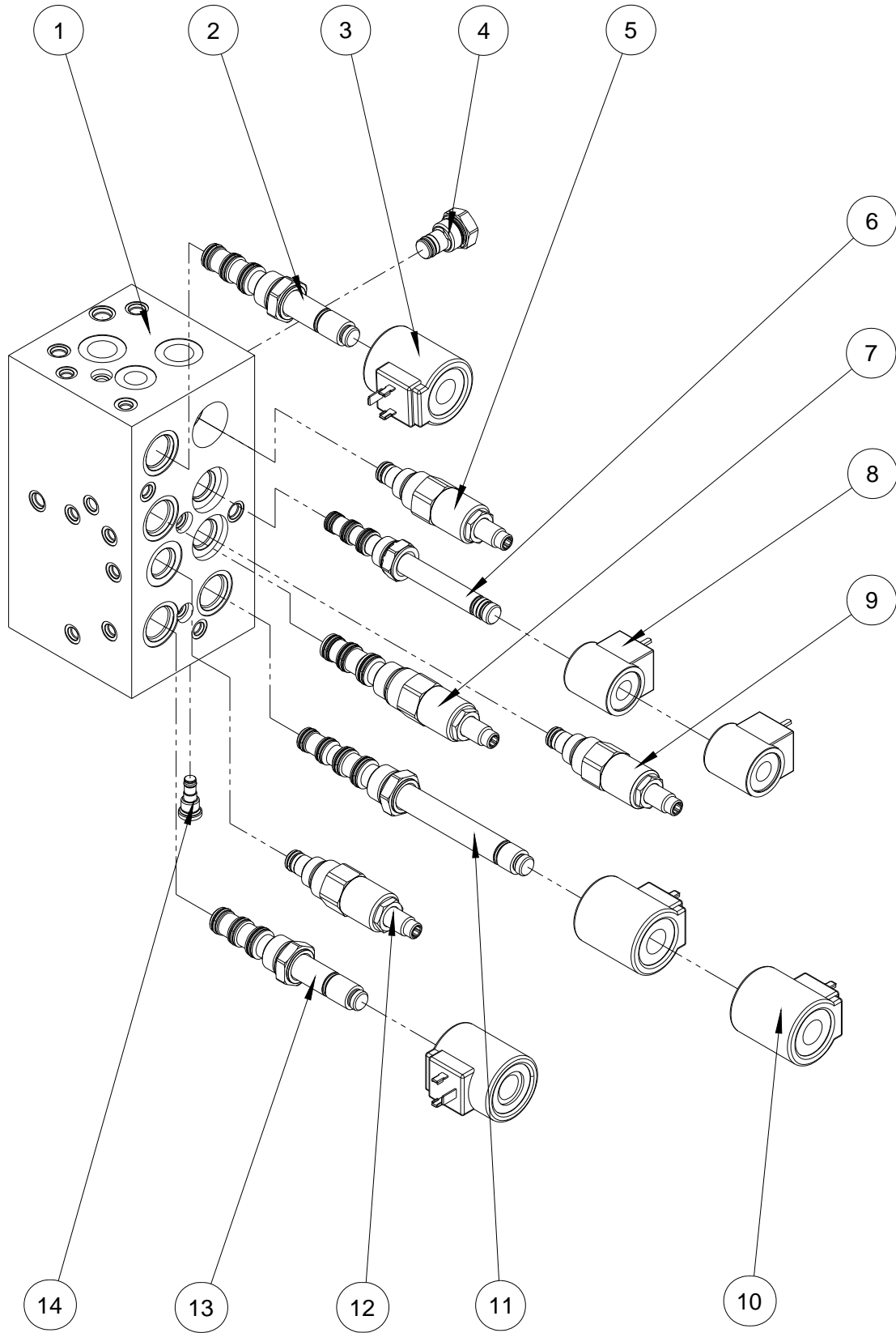


**Figure 4-3 Hydraulic Hoses and Fittings (JCPT0807DC)**

Item	Part Number	Description	Qty.	Remark
1	1SN06-M21513-04-14/M 21513-04-14-850	Steer hose assembly	1	
2	1SN06-M21513-04-14/M 21513-04-14-900	Steer hose assembly	1	
3	1SN08-M21513-05-16/M 21513-05-16-3700	Lift cylinder hose assembly	1	
4	1SN12-M21513-08-22/M 21543-08-22-320	Manifold to filter hose assembly	1	
5	1SN12-M21513-08-22/M 21543-08-22-420	Tank return hose assembly	1	
6	2SN12-M21513-08-22/M 21593-08-22-450	Pressue hose assembly	1	
7	1SN12-M21513-08-22/M 21593-08-22-420	Draw hose assembly	1	
8	GE08LM14x1.5EDA3C	Straight fitting	4	
9	GE15LMEDA3C	Straight fitting	2	
10	GE10LM16x1.5EDA3C	Straight fitting	1	
11	GE10LM18x1.5EDA3C	Straight fitting	1	
12	GE15LR3/4EDA3C	Straight fitting	2	
13	EW15L	Elbow	5	
14	GE15LMEDA3C	Straight fitting	2	
15	JCPT0807HD-551122	Fitting	1	
16	WSV15LA3C	Fitting M22x1.5	1	



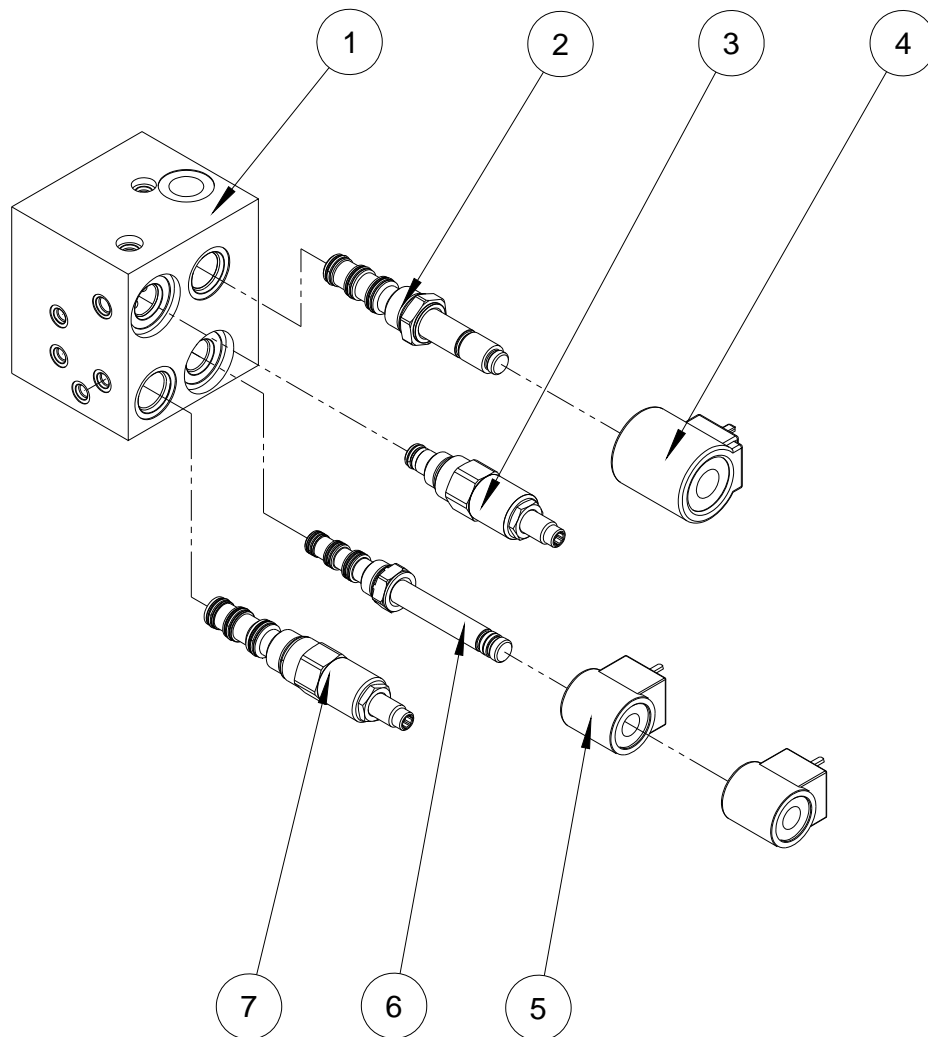
Figure 4-4 Function Manifold (JCPT0807HD)



**Figure 4-4 Function Manifold (JCPT0807HD)**

Item	Part Number	Description	Qty.	Remark
1	DPH-0712A-09B	Valve body	1	
2	SV10-40-O-N-20DS	Lift valve solenoid	1	
3	63510201213	Coil	3	
4	CV08-20-O-N-4	Check valve	1	
5	RV08-22A-O-N-35/M235	Main overflow valve	1	
6	SV08-47A-O-N-20DS	Steer valve solenoid	1	
7	FRRV10-41FA-O-N-M2.8 /M150	Steer pressure-gradient control valve	1	
8	63010201413	Coil	2	
9	RV08-22A-O-N-4/M3.45	Brake overflow valve	1	
10	63510201613	Coil	1	
11	RV08-22A-O-N-35/M190	Lift overflow valve	1	
12	SV10-5914-O-N-20DS	Drive solenoid	1	
13	SV10-44-O-N-20DS	Drive speed solenoid	1	
14	CV04-20-O-N-5	Check valve	1	

**Figure 4-5 Function Manifold (JCPT0807DC)**



**Figure 4-5 Function Manifold (JCPT0807DC)**

Item	Part Number	Description	Qty.	Remark
1	DPH-0918-10B	Valve body	1	
2	SV10-40-O-N-20DS	Lift valve solenoid	1	
3	RV08-22A-O-N-35/M180	Lift overflow valve	1	
4	63510202814	Coil	1	
5	63010202814	Coil	2	
6	SV08-47A-O-N-20DS	Steer valve solenoid	1	
7	FRRV10-41FA-O-N-M2.8 /M100	Steer pressure-gradient control valve	1	